

Dimensions : Millimetres [Inches]  
 Estimated weight: 1,64 kg (3,61 lbs)

|   |       |           |               |              |                |
|---|-------|-----------|---------------|--------------|----------------|
| TITLE:<br><b>300-138+112G2ST</b><br>6nm Masthead, Dbl + 3nm 360° Dbl.White<br>On a 400-035 Promount base, Cable Down  |       |           |               |              |                |
| DRAWING No.:  |       |           |               | Sheet No.:   | DRAWN BY:      |
| 300-138+112G2ST   |       |           |               | 1            | LSA            |
| SCALE:  | SIZE: | REV. NO.: | TOLERANCES:   | REVIEWED BY: | CREATION DATE: |
| 1 / 2   | A3    |           | DS/ISO 2768-f |              | 20-03-2024     |
| MATERIAL DESCRIPTION:<br>Alu. EN6082, Acrylic   |       |           |               |              |                |
| (20µ) Silver anodized according to EN ISO 7599<br>(50µ) Black anodized according to MIL-A 8625F   |       |           |               |              |                |
| This Drawing, and the information within, is the property of Lopolight ApS and may not be used in any form without express permission there from. Lopolight reserves the right to change this drawing and assumes no liability for the information communicated herein. Use of dimensions and other information in this drawing is at the users own risk. |       |           |               |              |                |

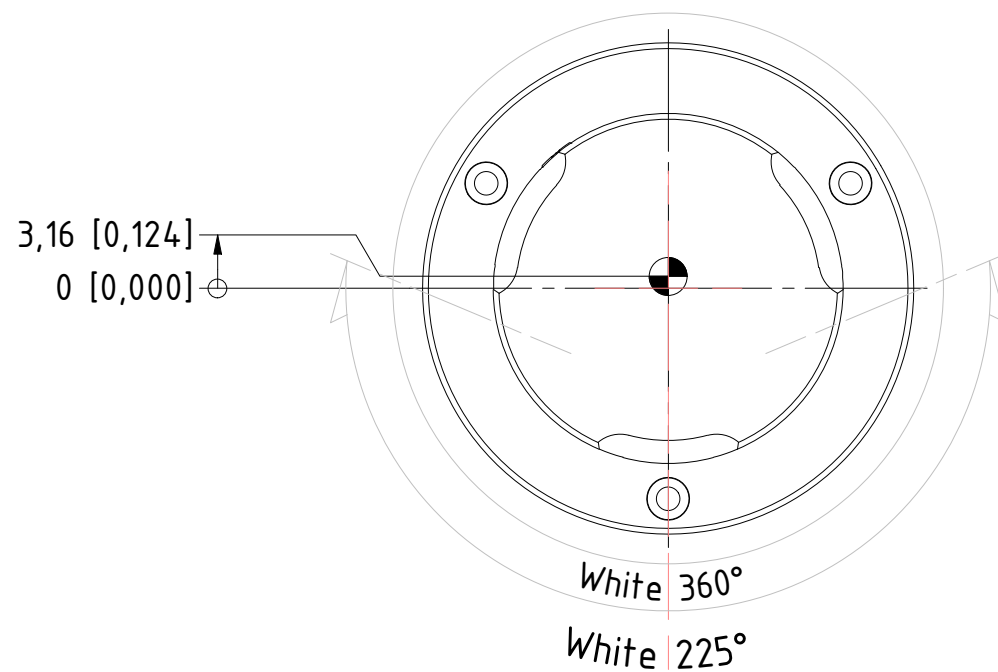
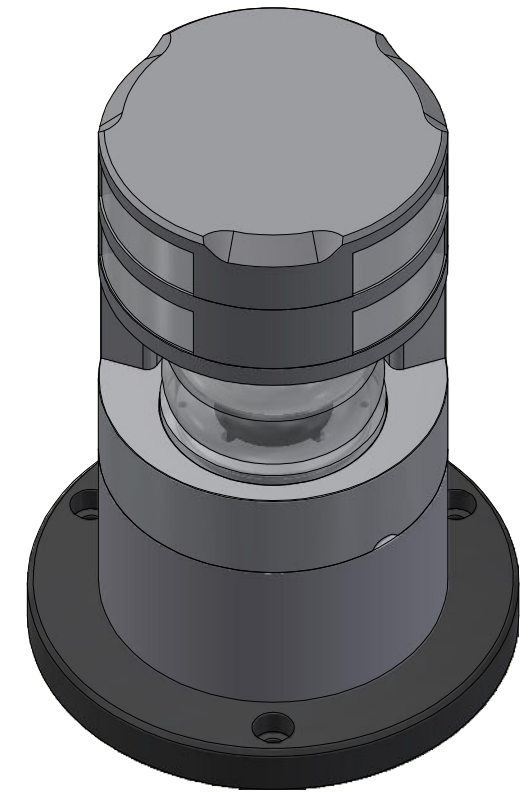
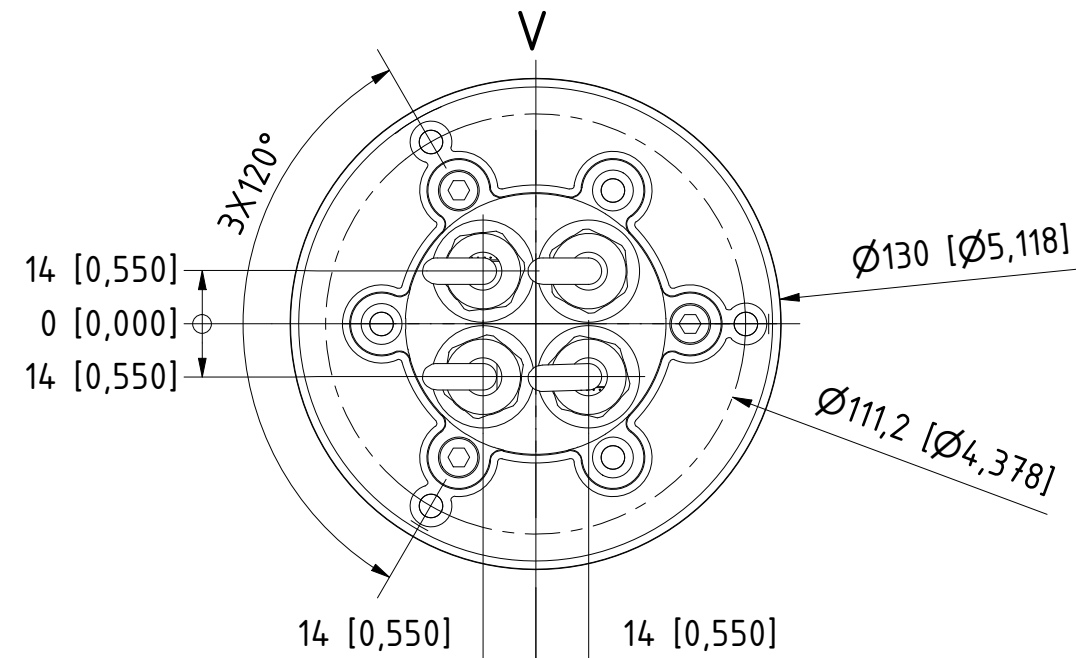
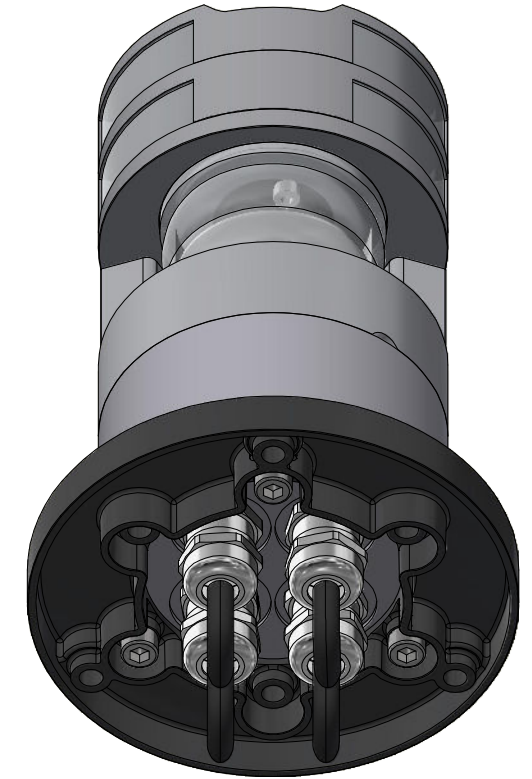
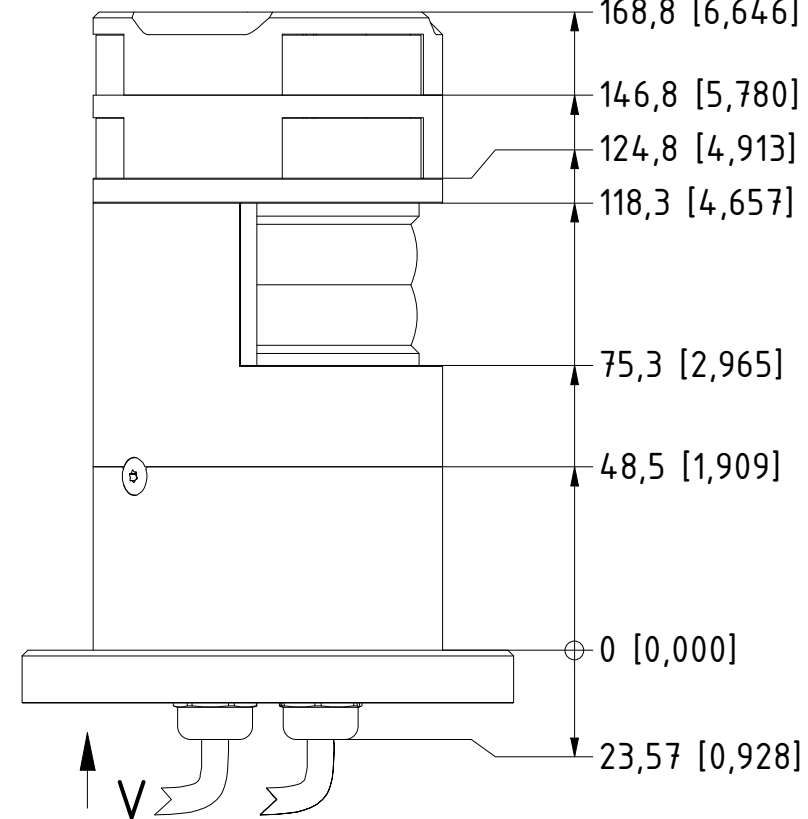
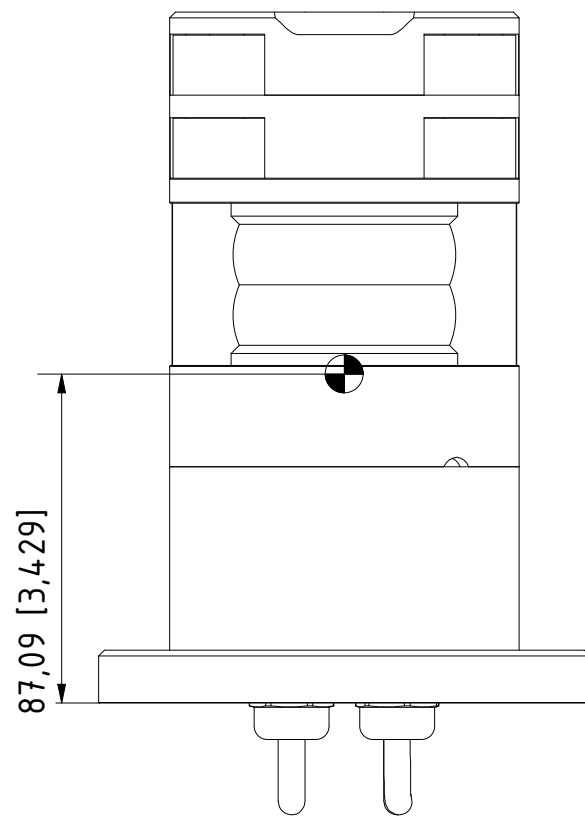
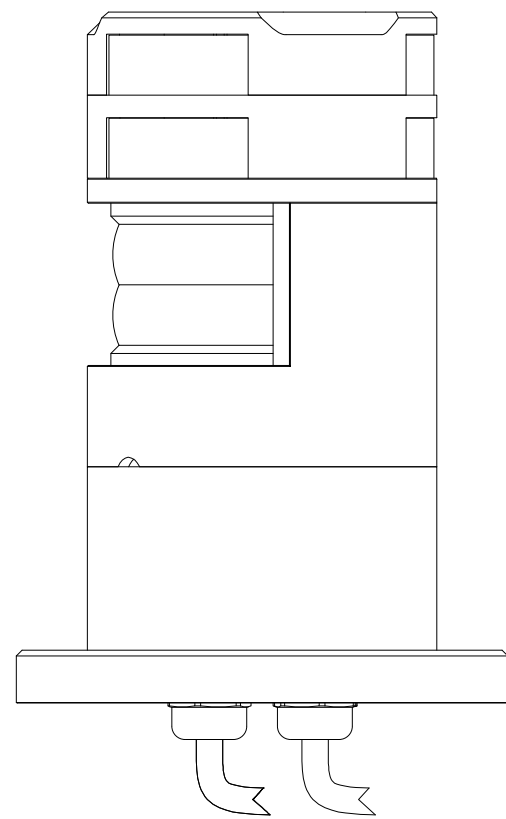
**LOPOLIGHT**

Lopolight ApS  
 Bakkegaardsvej 513  
 DK-3050, Humlebaek  
 Denmark  
[www.lopolight.com](http://www.lopolight.com)

Tel: (+45) 32 48 50 30  
 info@lopolight.com



50MM AT A3



Dimensions : Millimetres [Inches]  
 Estimated weight: 1,7 kg (3,75 lbs)



|   |       |           |               |              |                |
|---|-------|-----------|---------------|--------------|----------------|
| TITLE:<br><b>300-138+112G2ST</b><br>6nm Masthead, Dbl + 3nm 360° Dbl.White<br>On a 400-035 Promount base, and 400-404 PE base, Cable Down   |       |           |               |              |                |
| DRAWING No.:  |       |           | Sheet No.:    |              | DRAWN BY:      |
| 300-138+112G2ST   |       |           | 2             |              | LSA            |
| SCALE:  | SIZE: | REV. NO.: | TOLERANCES:   | REVIEWED BY: | CREATION DATE: |
| 1 / 2   | A3    |           | DS/ISO 2768-f |              | 20-03-2024     |
| MATERIAL DESCRIPTION:   |       |           |               |              |                |
| Alu. EN6082, Acrylic<br>(20µ) Silver anodized according to EN ISO 7599<br>(50µ) Black anodized according to MIL-A 8625F   |       |           |               |              |                |
| This Drawing, and the information within, is the property of Lopolight ApS and may not be used in any form without express permission there from. Lopolight reserves the right to change this drawing and assumes no liability for the information communicated herein. Use of dimensions and other information in this drawing is at the users own risk. |       |           |               |              |                |



Lopolight ApS  
 Bakkegaardsvej 513  
 DK-3050, Humlebaek  
 Denmark  
 www.lopolight.com

Tel: (+45) 32 48 50 30  
 info@lopolight.com

