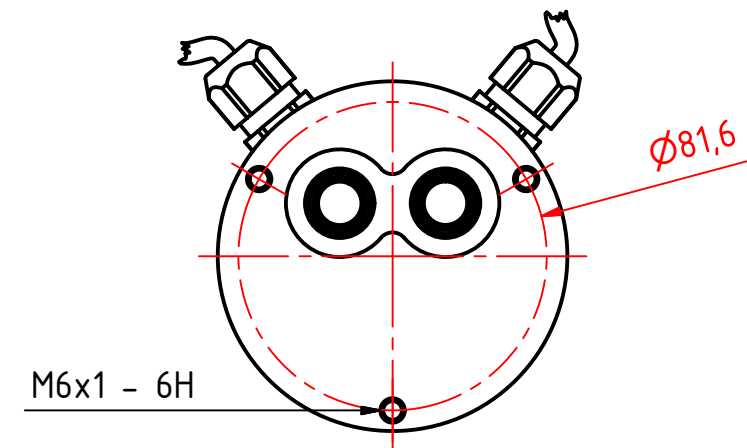
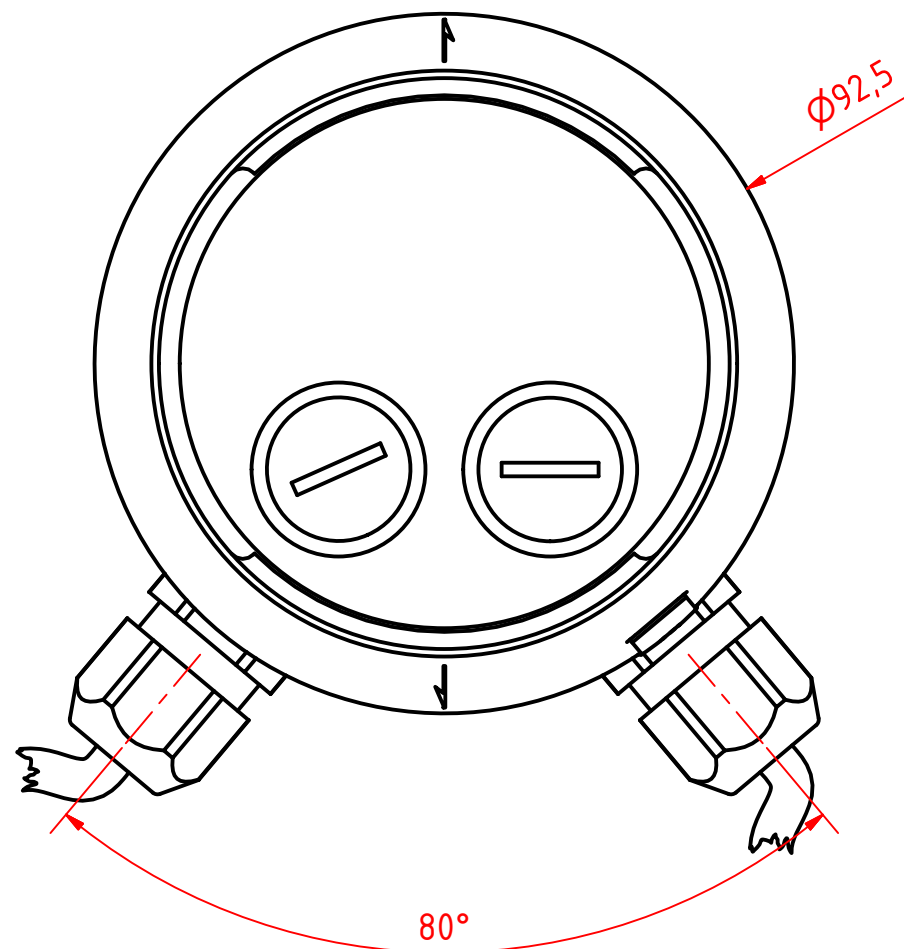


A ↑

A (1 : 2)



400-034 Aluminium K lock mount Cable aft

DRAWING NO.:	REV. NO.:	SIZE:	DRAWN BY:
400-034AA	0	A3	Paul
SCALE:	TOLERANCES:	REVIEWED BY:	
2	DS/ISO 2768-f	JM	

MATERIAL DESCRIPTION:
Aluminium

This Drawing, and the information within, is the property of Lopolight ApS and may not be used in any form without express permission there from. Lopolight reserves the right to change this drawing and assumes no liability for the information communicated herein. Use of dimensions and other information in this drawing is at the users own risk.

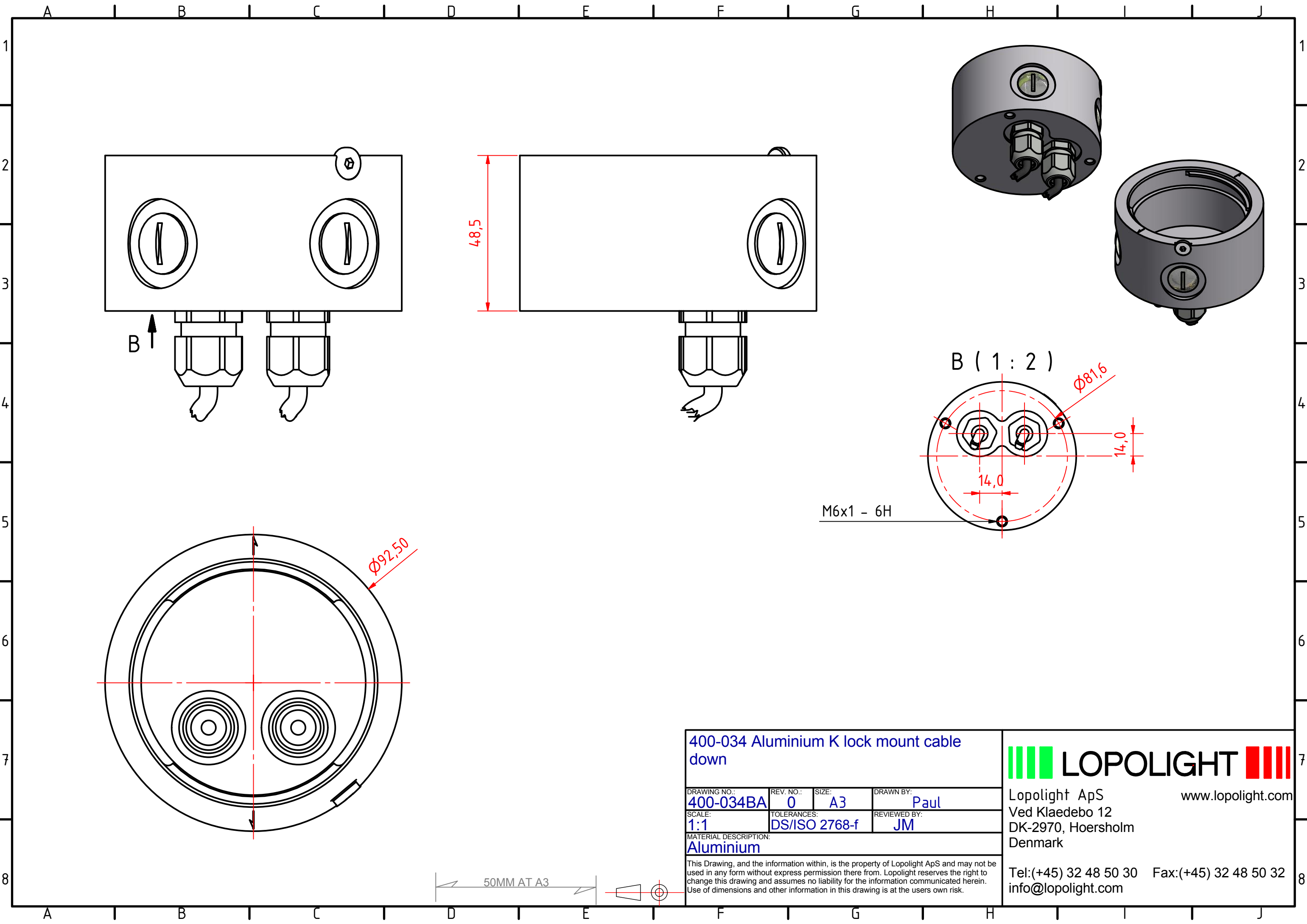


Lopolight ApS
Ved Klaedebo 12
DK-2970, Hoersholm
Denmark

Tel:(+45) 32 48 50 30 Fax:(+45) 32 48 50 32
info@lopolight.com

50MM AT A3





48,5

B (1 : 2)

Ø81,6

14,0

14,0

M6x1 - 6H

Ø92,50

400-034 Aluminium K lock mount cable down

DRAWING NO.:	REV. NO.:	SIZE:	DRAWN BY:
400-034BA	0	A3	Paul
SCALE:	TOLERANCES:	REVIEWED BY:	
1:1	DS/ISO 2768-f	JM	

MATERIAL DESCRIPTION:
Aluminium

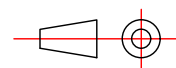
This Drawing, and the information within, is the property of Lopolight ApS and may not be used in any form without express permission there from. Lopolight reserves the right to change this drawing and assumes no liability for the information communicated herein. Use of dimensions and other information in this drawing is at the users own risk.

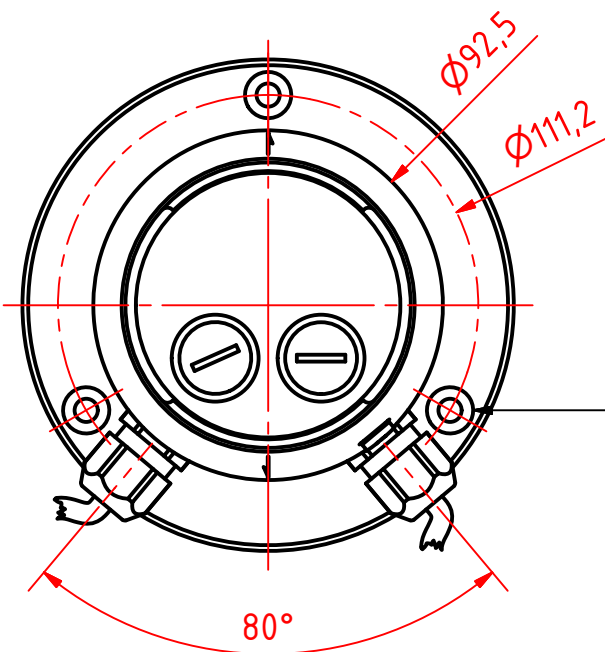
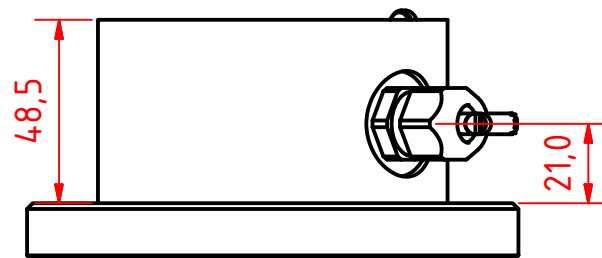
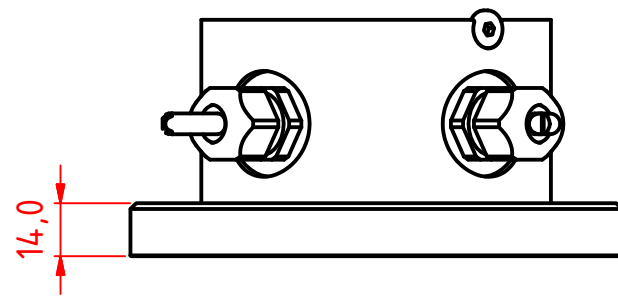
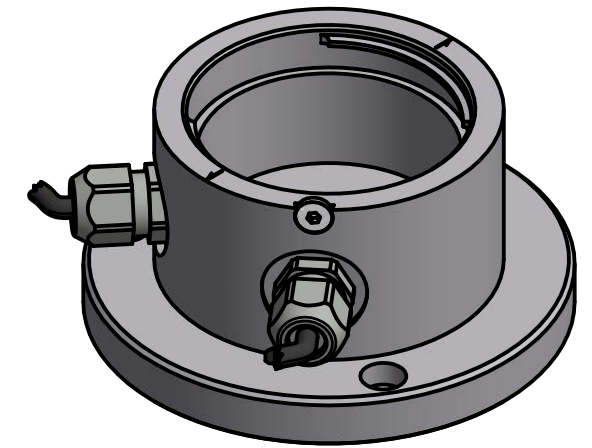
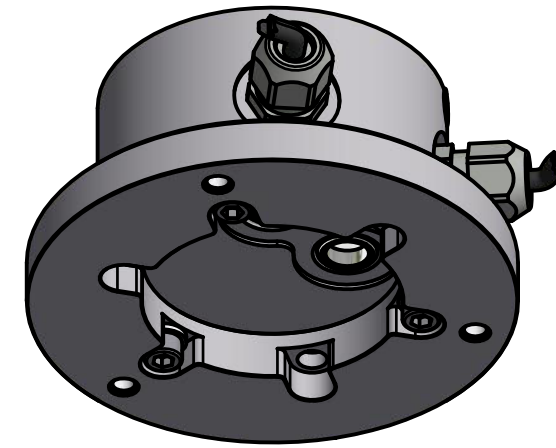
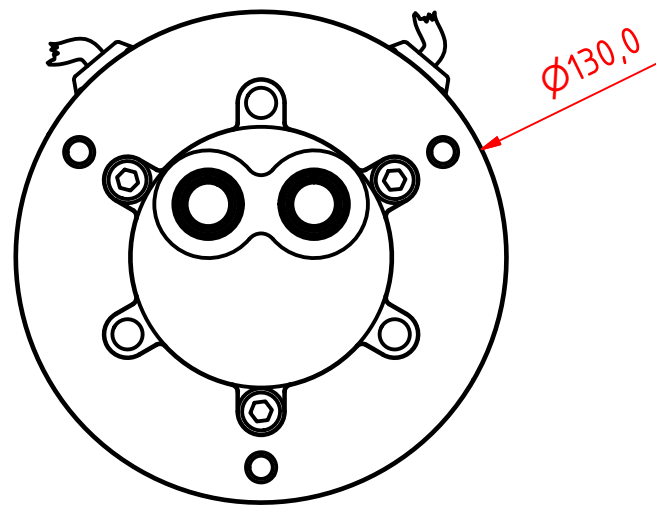
LOPOLIGHT

Lopolight ApS
Ved Klaedebo 12
DK-2970, Hoersholm
Denmark

Tel:(+45) 32 48 50 30 Fax:(+45) 32 48 50 32
info@lopolight.com

50MM AT A3





Ø8,00 THRU
DIN 974 - Ø12,20 X 9,00

400-034 Aluminium K lock mount and base plate w/ Cable aft

DRAWING NO.: 400-034CA	REV. NO.: 0	SIZE: A3	DRAWN BY: Paul
SCALE: 1:	TOLERANCES: DS/ISO 2768-f	REVIEWED BY: JM	

MATERIAL DESCRIPTION:
Aluminium

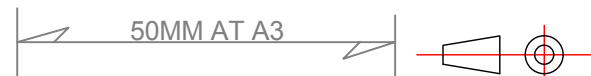
This Drawing, and the information within, is the property of Lopolight ApS and may not be used in any form without express permission there from. Lopolight reserves the right to change this drawing and assumes no liability for the information communicated herein. Use of dimensions and other information in this drawing is at the users own risk.

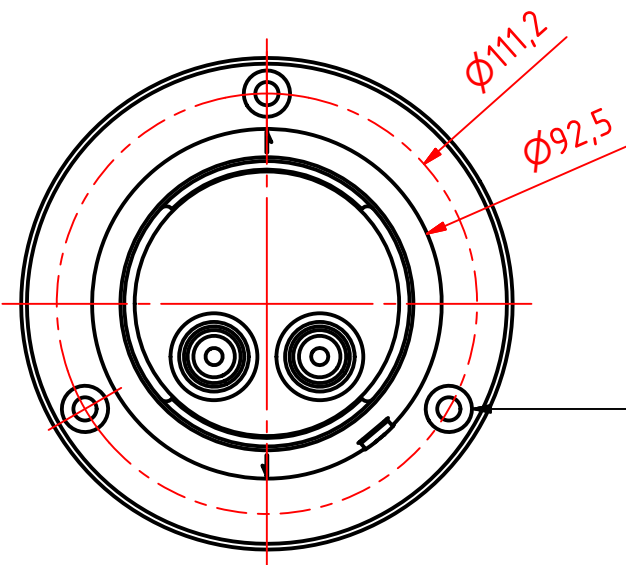
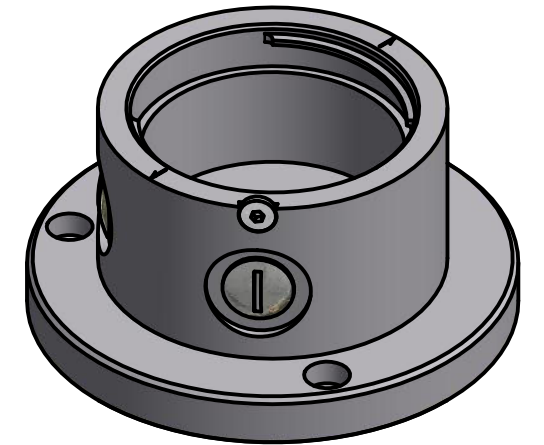
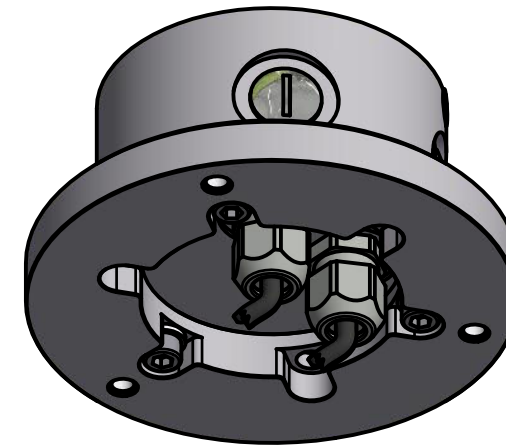
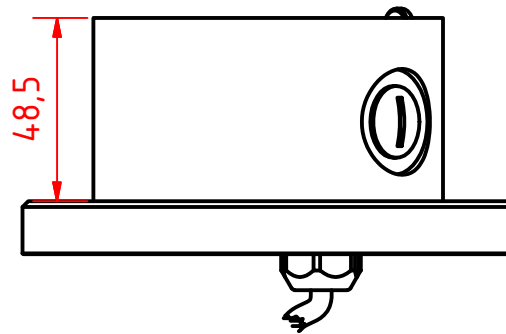
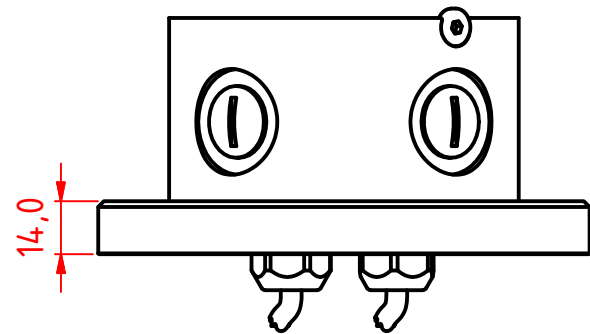
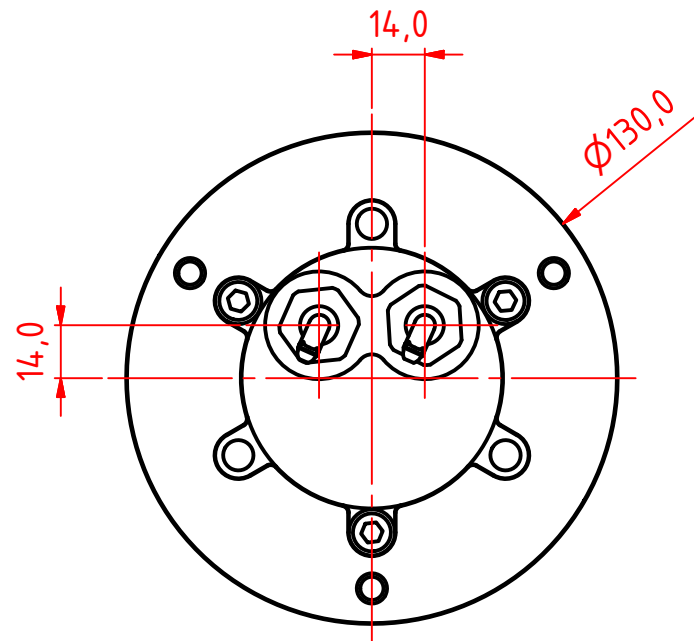


Lopolight ApS
Ved Klaedebo 12
DK-2970, Hoersholm
Denmark

www.lopolight.com

Tel:(+45) 32 48 50 30 Fax:(+45) 32 48 50 32
info@lopolight.com





Ø8,00 THRU
DIN 974 - Ø12,20 X 9,00

400-034 Aluminium K lock mount and base plate w/ cable down

DRAWING NO.: 400-034DA	REV. NO.: 0	SIZE: A3	DRAWN BY: Paul
SCALE: 1:2	TOLERANCES: DS/ISO 2768-f	REVIEWED BY: JM	

MATERIAL DESCRIPTION:
Aluminium

This Drawing, and the information within, is the property of Lopolight ApS and may not be used in any form without express permission there from. Lopolight reserves the right to change this drawing and assumes no liability for the information communicated herein. Use of dimensions and other information in this drawing is at the users own risk.



Lopolight ApS www.lopolight.com
Ved Klaedebo 12
DK-2970, Hoersholm
Denmark

Tel:(+45) 32 48 50 30 Fax:(+45) 32 48 50 32
info@lopolight.com

50MM AT A3

