

112,5° PORT SIDELIGHT, DOUBLE, VERTICALLY MOUNTED

2 nautical miles	301-002ST (20m – 50m / 39.4' – 164')
3 nautical miles	301-102ST (>50m / >164')

This LED navigation light consists of two individual lights, each with a single high-power LED that produces light in the specified angle utilizing special designed PMMA light guides. Each light can be activated separately.

The precision machined 6082 aluminium housing with an anodized surface makes the light a rugged and durable housing for the LEDs and electronics contained within.

The interior is completely filled with a special potting resin making it water- and vibration proof.

Produced in our in-house manufacturing facility to meet and exceed exacting standards such as EN14744 and UL1104, under a quality management system continuously surveyed by Lloyds Register Quality Assurance.

Each light is subjected to final testing for a minimum of 16 hours of continuous operation bringing the total test time beyond 24 hours.

This navigation light is in compliance with the following standards:

- COLREG72
- EN14744
- IEC 60945
- USCG (UL1104)

Together with an appropriate Control & Monitoring System, such as Lopolight's own NLC* this navigation light can form part of an IMO MSC 253(83), LY3 and LY4 compliant system.



Technical specifications**301-002ST;**

Vessel size: 12m – 50m (39.4' - 164')

Visibility: >2 nautical miles

Intensity: >5,4cd

Power consumption: 2,5 Watt; Current: 0,21A @12 VDC - 0,1A @24 VDC

301-102ST;

Vessel size: >50m (>164')

Visibility: >3 nautical miles

Intensity: >15cd

Power consumption: 5,9 Watt; Current: 0,49A @12 VDC - 0,24A @24 VDC

Operating voltage: 10 - 32 VDC

Number of LEDs: 1 / 1

Light colour: Red

Operating temperature: -25°C to +55°C

IP rating: IP68

Mounting: Vertical

Connection: 2 cables consisting of 2 x 0,5 mm² leads, a screen and insulation.

- Red lead = Power
- Black lead = GND

Certification: Pending

The product is in compliance with the following standard(s):

COLREG72/ EN14744 / IEC 60945 / USCG (UL1104)

Dimensions: See drawing

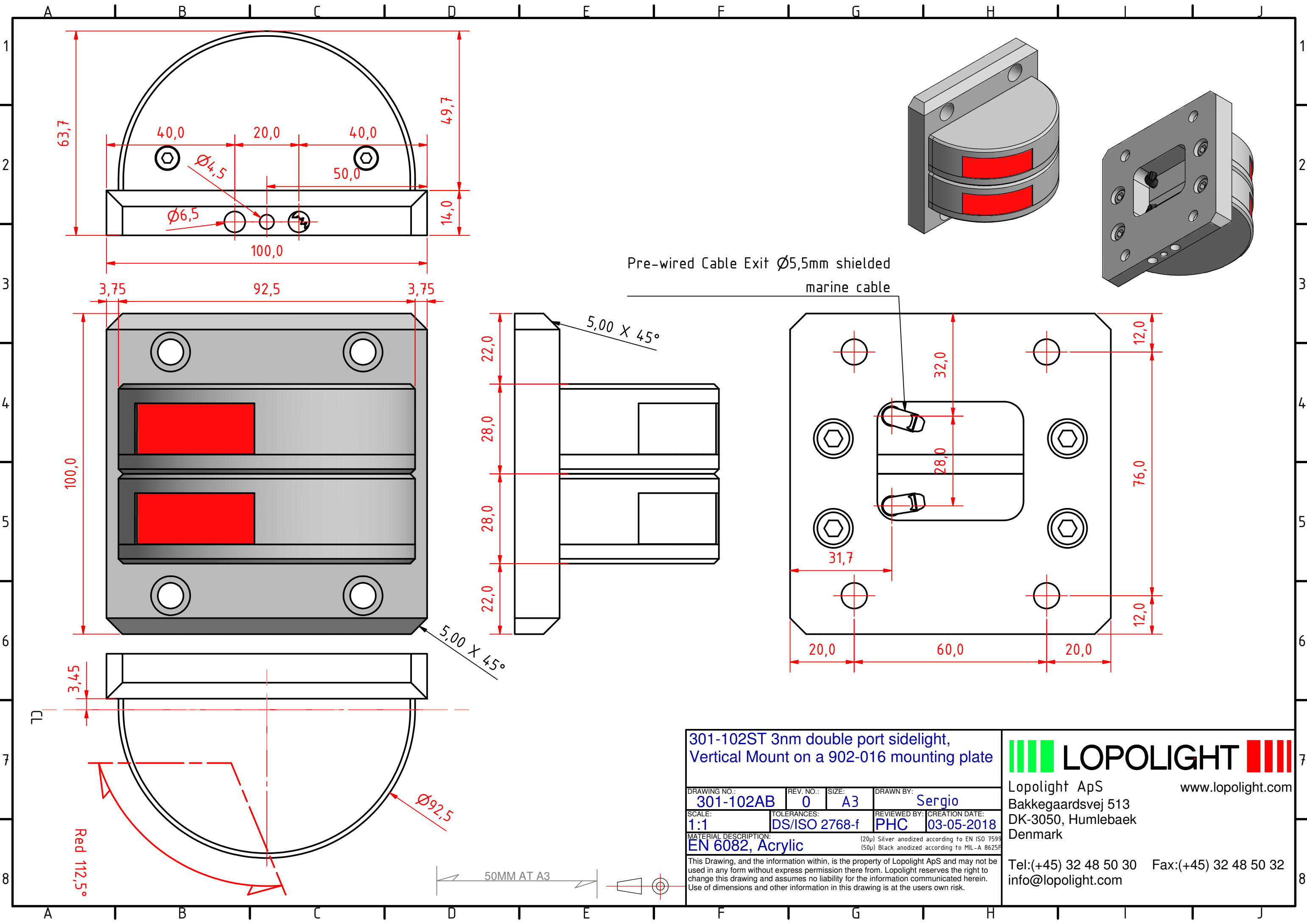
Weight: 1kg

Included in the standard package:

- 1 pc. Navigation light, pre-cabled with 2,5m marine grade cable
- 2 pcs. Mounting screws (M6 x 8 mm)
- Installation instructions

Ordering information

VISIBILITY	CABLE LENGTH	PART NUMBER SILVER FINISH	PART NUMBER BLACK FINISH
2 nautical miles	2,5m / 8.2' (standard)	301-002ST	301-002ST-B
	6m / 19.7'	301-002ST 6M	301-002ST-B 6M
3 nautical miles	2,5m / 8.2' (standard)	301-102ST	301-102ST-B
	6m / 19.7'	301-102ST 6M	301-102ST-B 6M



Pre-wired Cable Exit $\varnothing 5,5\text{mm}$ shielded marine cable

**301-102ST 3nm double port sidelight,
Vertical Mount on a 902-016 mounting plate**

DRAWING NO.:	REV. NO.:	SIZE:	DRAWN BY:
301-102AB	0	A3	Sergio
SCALE:	TOLERANCES:	REVIEWED BY:	CREATION DATE:
1:1	DS/ISO 2768-f	PHC	03-05-2018
MATERIAL DESCRIPTION:			
EN 6082, Acrylic			

(20 μ) Silver anodized according to EN ISO 7599
(50 μ) Black anodized according to MIL-A 8625F
This Drawing, and the information within, is the property of Lopolight ApS and may not be used in any form without express permission there from. Lopolight reserves the right to change this drawing and assumes no liability for the information communicated herein. Use of dimensions and other information in this drawing is at the users own risk.



Lopolight ApS
Bakkegaardsvej 513
DK-3050, Humlebaek
Denmark

Tel:(+45) 32 48 50 30 Fax:(+45) 32 48 50 32
info@lopolight.com

50MM AT A3