

112,5° STARBOARD SIDELIGHT, DOUBLE, VERTICALLY MOUNTED

2 nautical miles 301-001ST (20m – 50m / 39.4' – 164')
 3 nautical miles 301-101ST (>50m / >164')

This LED navigation light consists of two individual lights, each with a single high-power LED that produces light in the specified angle utilizing special designed PMMA light guides. Each light can be activated separately.

The precision machined 6082 aluminium housing with an anodized surface makes the light a rugged and durable housing for the LEDs and electronics contained within.

The interior is completely filled with a special potting resin making it water- and vibration proof.

Produced in our in-house manufacturing facility to meet and exceed exacting standards such as EN14744 and UL1104, under a quality management system continuously surveyed by Lloyds Register Quality Assurance.

Each light is subjected to final testing for a minimum of 16 hours of continuous operation bringing the total test time beyond 24 hours.

This navigation light is in compliance with the following standards:

- COLREG72
- EN14744
- IEC 60945
- USCG (UL1104)

Together with an appropriate Control & Monitoring System, such as Lopolight's own NLC* this navigation light can form part of an IMO MSC 253(83), LY3 and LY4 compliant system.



Technical specifications**301-001ST;**

Vessel size: 12m – 50m (39.4' - 164')

Visibility: >2 nautical miles

Intensity: >5,4cd

Power consumption: 2,8 Watt; Current: 0,23A @12 VDC - 0,11A @24 VDC

301-101ST;

Vessel size: >50m (>164')

Visibility: >3 nautical miles

Intensity: >15cd

Power consumption: 5,9 Watt; Current: 0,49A @12 VDC - 0,24A @24 VDC

Operating voltage: 10 - 32 VDC

Number of LEDs: 1 / 1

Light colour: **Green**

Operating temperature: -25°C to +55°C

IP rating: **IP68**

Mounting: **Vertical**

Connection: 2 cables consisting of 2 x 0,5 mm² leads, a screen and insulation.

- **Red lead = Power**
- **Black lead = GND**

Certification: **Pending.**

The product is in compliance with the following standard(s):

COLREG72/ EN14744 / IEC 60945 / USCG (UL1104)

Dimensions: **See drawing**

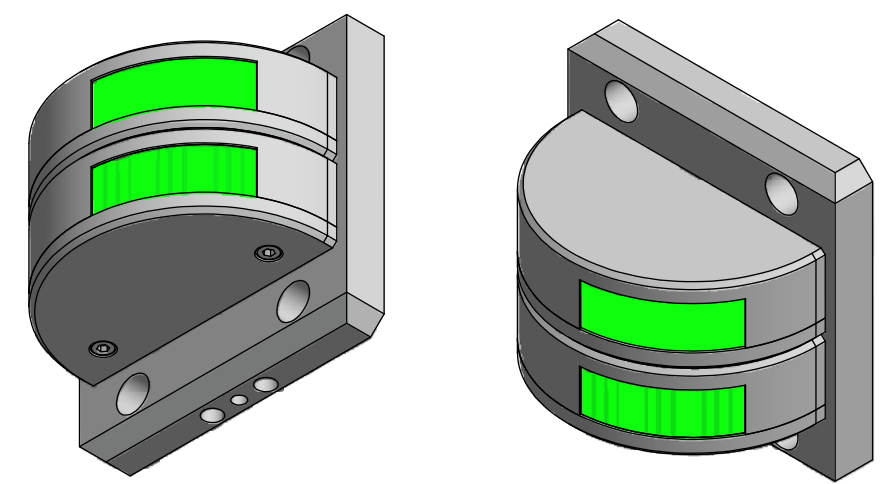
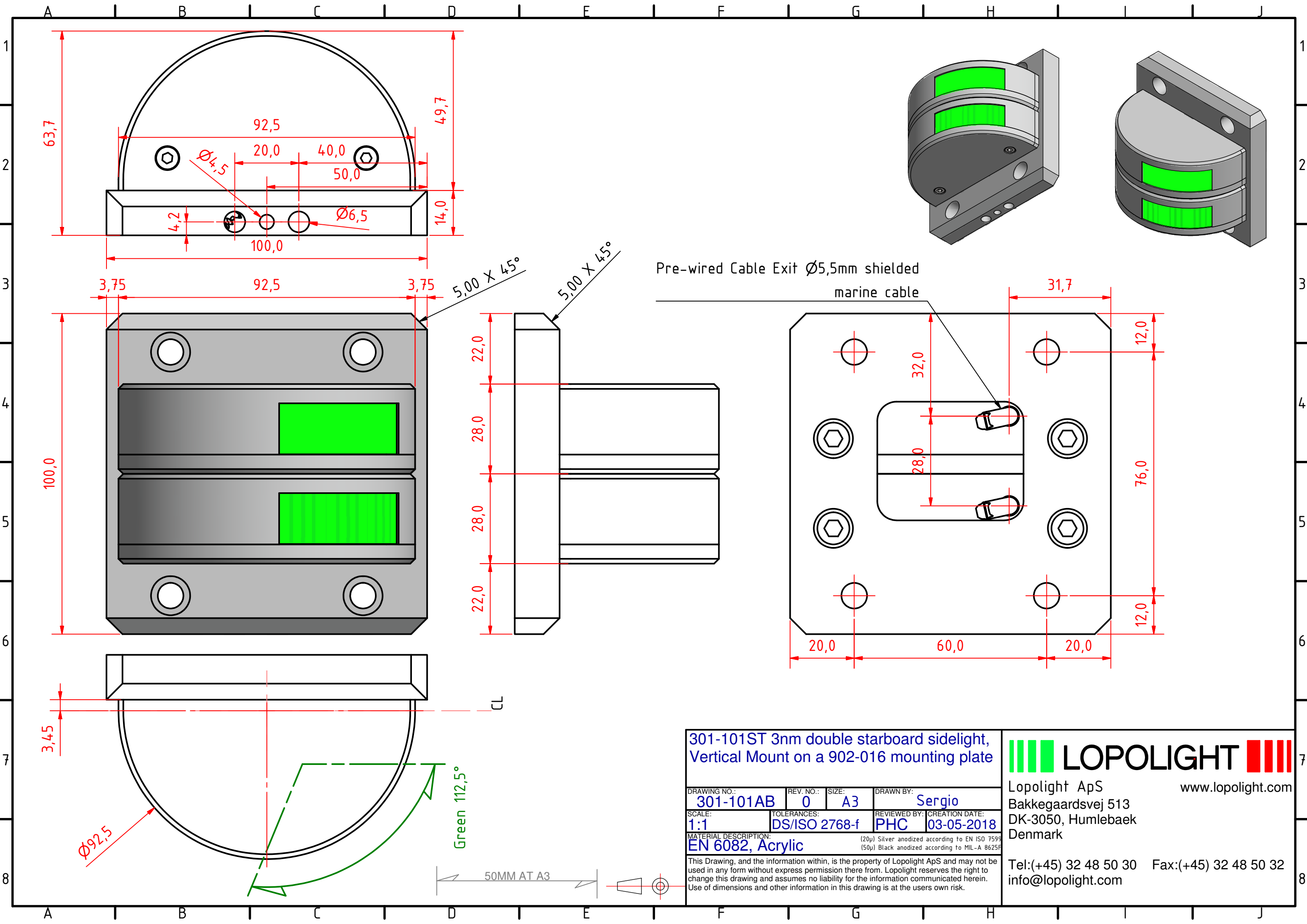
Weight: **1kg**

Included in the standard package:

- 1 pc. Navigation light, pre-cabled with 2,5m marine grade cable
- 2 pcs. Mounting screws (M6 x 8 mm)
- Installation instructions

Ordering information

VISIBILITY	CABLE LENGTH	PART NUMBER SILVER FINISH	PART NUMBER BLACK FINISH
2 nautical miles	2,5m / 8.2' (standard)	301-001ST	301-001ST-B
	6m / 19.7'	301-001ST 6M	301-001ST-B 6M
3 nautical miles	2,5m / 8.2' (standard)	301-101ST	301-101ST-B
	6m / 19.7'	301-101ST 6M	301-101ST-B 6M



Pre-wired Cable Exit \varnothing 5,5mm shielded marine cable

301-101ST 3nm double starboard sidelight, Vertical Mount on a 902-016 mounting plate

DRAWING NO.: 301-101AB	REV. NO.: 0	SIZE: A3	DRAWN BY: Sergio
SCALE: 1:1	TOLERANCES: DS/ISO 2768-f	REVIEWED BY: PHC	CREATION DATE: 03-05-2018
MATERIAL DESCRIPTION: EN 6082, Acrylic			

This Drawing, and the information within, is the property of Lopolight ApS and may not be used in any form without express permission there from. Lopolight reserves the right to change this drawing and assumes no liability for the information communicated herein. Use of dimensions and other information in this drawing is at the users own risk.



Lopolight ApS
Bakkegaardsvej 513
DK-3050, Humlebaek
Denmark

Tel:(+45) 32 48 50 30 Fax:(+45) 32 48 50 32
info@lopolight.com

www.lopolight.com