

301-109ST-PRO
 301-109ST-PRO-I (Ice class)

**3 NAUTICAL MILES
 112,5° PORT SIDELIGHT,
 DOUBLE, HORIZONTALLY MOUNTED**

This LED navigation light consists of two (2) individual lights, each with a single high-power LED that produces light in the specified angle utilizing a special designed PMMA light guide, that can be activated separately. One is dedicated as the primary, the other the secondary.

The Ice class version of the light features a built-in 25W heating element with a temperature sensor that activates when temperatures goes below 3°C. The De-icing is deactivated when temperatures increases to 15°C.

The precision machined 6082 aluminium housing with an anodized surface makes the light a rugged and durable housing for the LEDs and electronics contained within.

The interior is completely filled with a special potting resin making it water- and vibration proof.

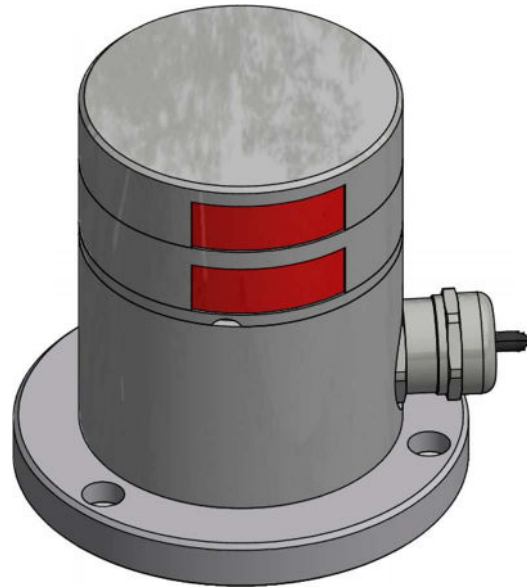
Produced in our in-house manufacturing facility to meet and exceed exacting standards such as EN14744 and UL1104, under a quality management system continuously surveyed by Lloyds Register Quality Assurance.

Each light is subjected to final testing for a minimum of 16 hours of continuous operation bringing the total test time beyond 24 hours.

This navigation light is in compliance with the following standards:

- COLREG72
- EN14744
- IEC 60945
- USCG (UL1104)

Together with an appropriate Control & Monitoring System, such as Lopolight's own NLC* this navigation light can form part of an IMO MSC 253(83), LY3 and LY4 compliant system.



Technical specifications

Vessel size: >50m (>164')

Visibility: >3 nautical miles

Intensity: >15cd

Power consumption:

301-109ST-PRO: 2 Watt; Current: 0,15A @ 12 VDC – 0,1A @ 24 VDC

301-109ST-PRO-I: 2 Watt / 27 Watt; Current: 0,1 / 1,1A @ 24 VDC

Operating voltage:

301-109ST-PRO: 10 - 32 VDC

301-109ST-PRO-I: 19 - 32VDC

Number of LEDs: 1 / 1

Light colour: **Red**

Operating temperature:

301-109ST-PRO: -25°C to +55°C

301-109ST-PRO-I: -60°C to +55°C

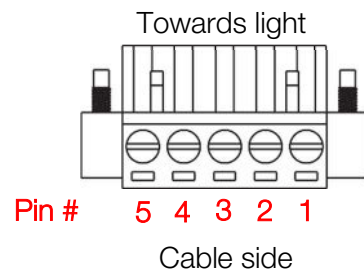
IP rating: **IP68**

Mounting: **Horizontal**

Cable entry: 2 M25x1.5 thread borings for cable glands located on the side (see drawing for details).

Connector: Accepts leads between 0,25 - 4mm² / 12 - 24 AWG.

- Pin 1 - Primary light power
- Pin 2 - Primary light GND
- Pin 3 –Not used
- Pin 4 - Secondary light power
- Pin 5 - Secondary light GND



Certification: USCG (UL1104): OK - Wheelmark: Pending

The product is in compliance with the following standards:
COLREG72/ EN14744 / IEC 60945 / USCG (UL1104)

Dimensions: See drawing

Weight: 1,67kg

Included in the package:

- 1 pc. Navigation light on 400-037 aluminium base
- 1 pc. HDPE base plate
- 3 pcs. M6x14 screw
- 2 pcs. M25x1.5 cable gland (cable diameters 9 – 17mm / 0.35' - 0.67')
- 1 pc. Connector plug, 5 PIN
- 2 pcs. M25/M20/M16 reduction kit (cable diameters 4,5 – 13mm / 0.18' - 0.51')
- Installation instructions

Ordering information

BASE OPTION	PART NUMBER BLACK FINISH
400-037 (drawing H) CS base	301-109ST-PRO
400-037 (drawing H) CS base	301-109ST-PRO-I

Cabling options

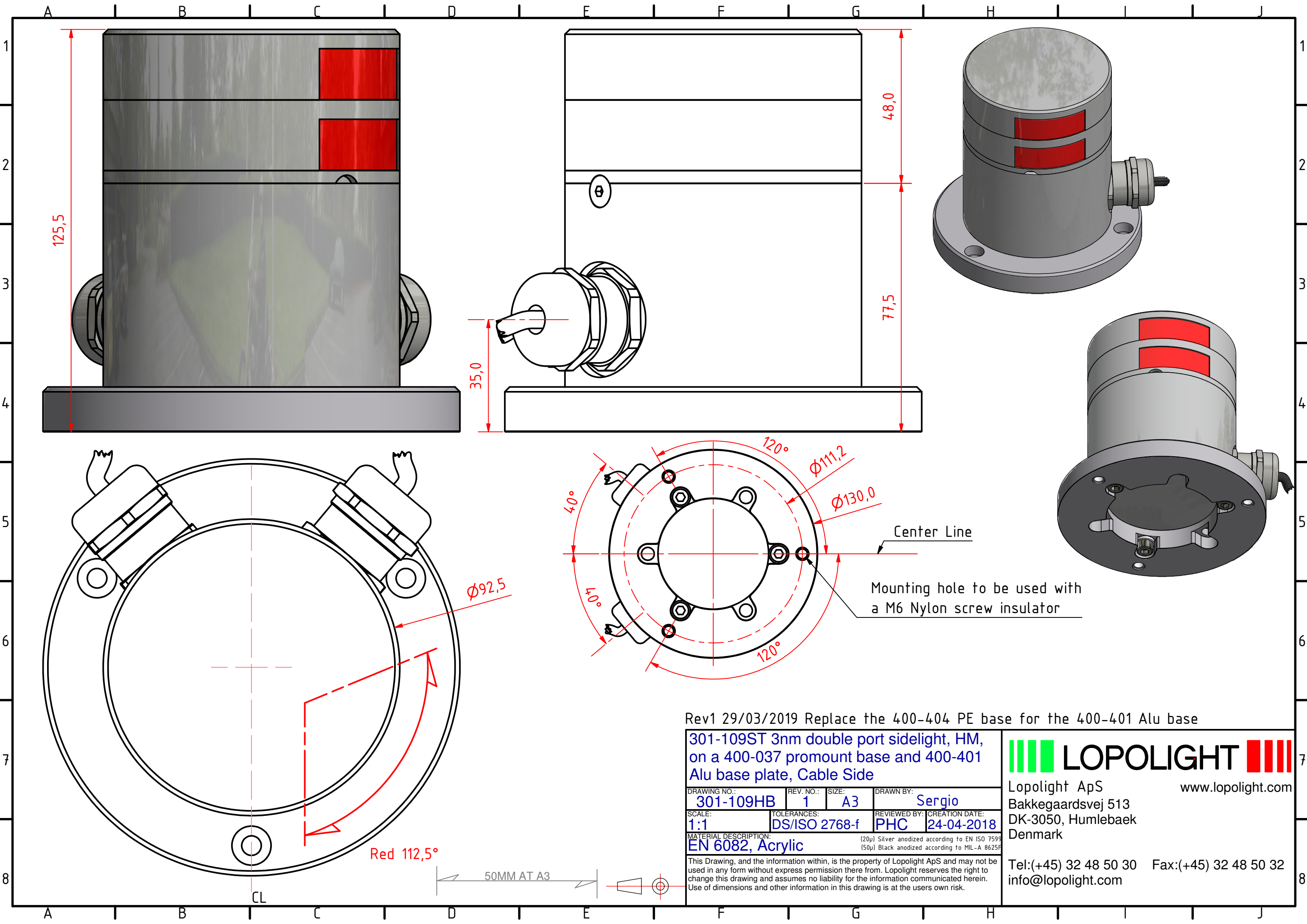
301-109ST-PRO

Cable length	Part number
2m / 6.6' 2-lead 0,5mm ² / 20AWG cable with connector	400-300-2M
4m / 13.1' 2-lead 0,5mm ² / 20AWG cable with connector	400-300-4M
6m / 19.7' 2-lead 0,5mm ² / 20AWG cable with connector	400-300-6M
10m / 32.8' 2-lead 0,5mm ² / 20AWG cable with connector	400-300-10M
12m / 39.4' 2-lead 0,5mm ² / 20AWG cable with connector	400-300-12M
15m / 49.1' 2-lead 0,5mm ² / 20AWG cable with connector	400-300-15M
20m / 65.6' 2-lead 0,5mm ² / 20AWG cable with connector	400-300-20M

Please refer to our cable dimensions chart in regard to which cable size to use if any other lengths than listed above is required.

301-109ST-PRO-I

Please refer to our cable dimensions chart in regard to which cable size to use when installing Ice class lights.



Rev1 29/03/2019 Replace the 400-404 PE base for the 400-401 Alu base

**301-109ST 3nm double port sidelight, HM,
on a 400-037 promount base and 400-401
Alu base plate, Cable Side**

DRAWING NO.:	REV. NO.:	SIZE:	DRAWN BY:
301-109HB	1	A3	Sergio
SCALE:	TOLERANCES:	REVIEWED BY:	CREATION DATE:
1:1	DS/ISO 2768-f	PHC	24-04-2018

MATERIAL DESCRIPTION:
EN 6082, Acrylic (20µ) Silver anodized according to EN ISO 7599
(50µ) Black anodized according to MIL-A 8625F

This Drawing, and the information within, is the property of Lopolight ApS and may not be used in any form without express permission there from. Lopolight reserves the right to change this drawing and assumes no liability for the information communicated herein. Use of dimensions and other information in this drawing is at the users own risk.



Lopolight ApS www.lopolight.com
Bakkegaardsvej 513
DK-3050, Humlebaek
Denmark

Tel:(+45) 32 48 50 30 Fax:(+45) 32 48 50 32
info@lopolight.com