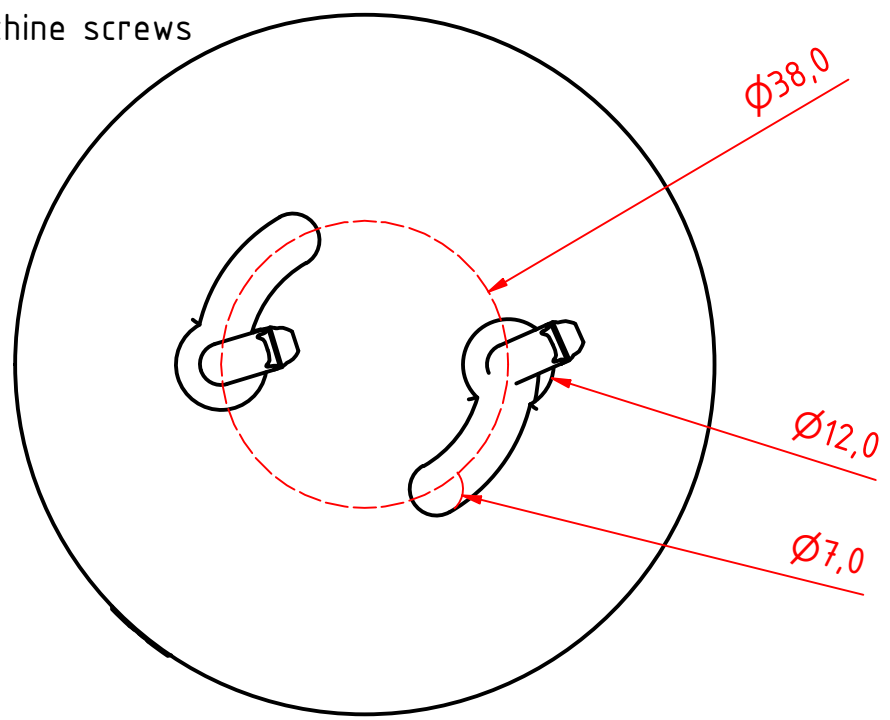
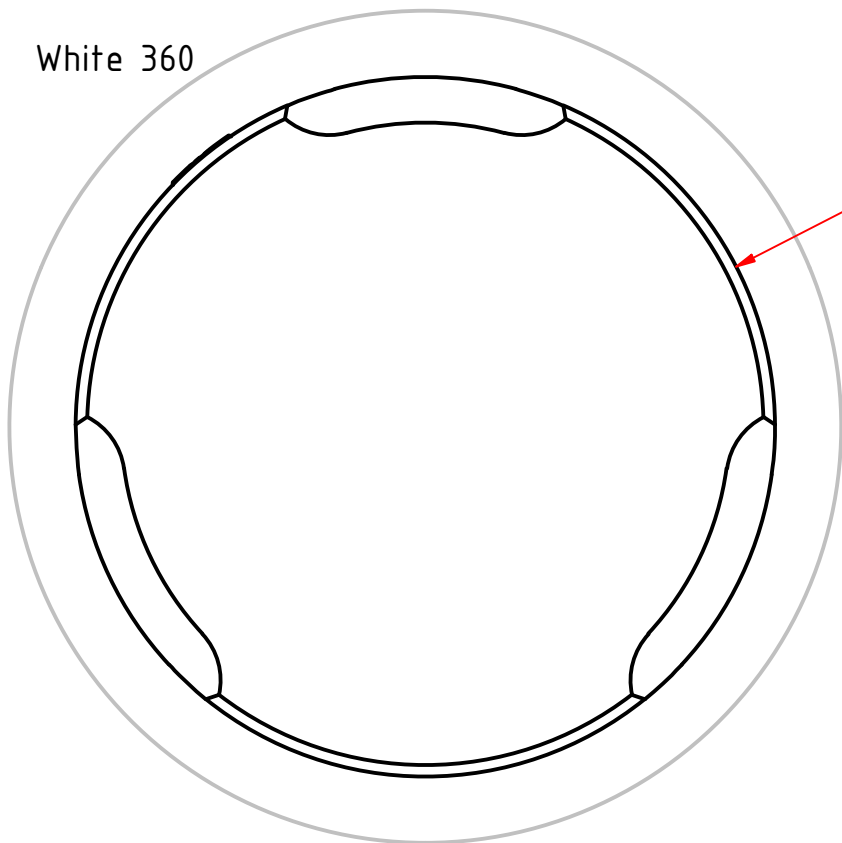


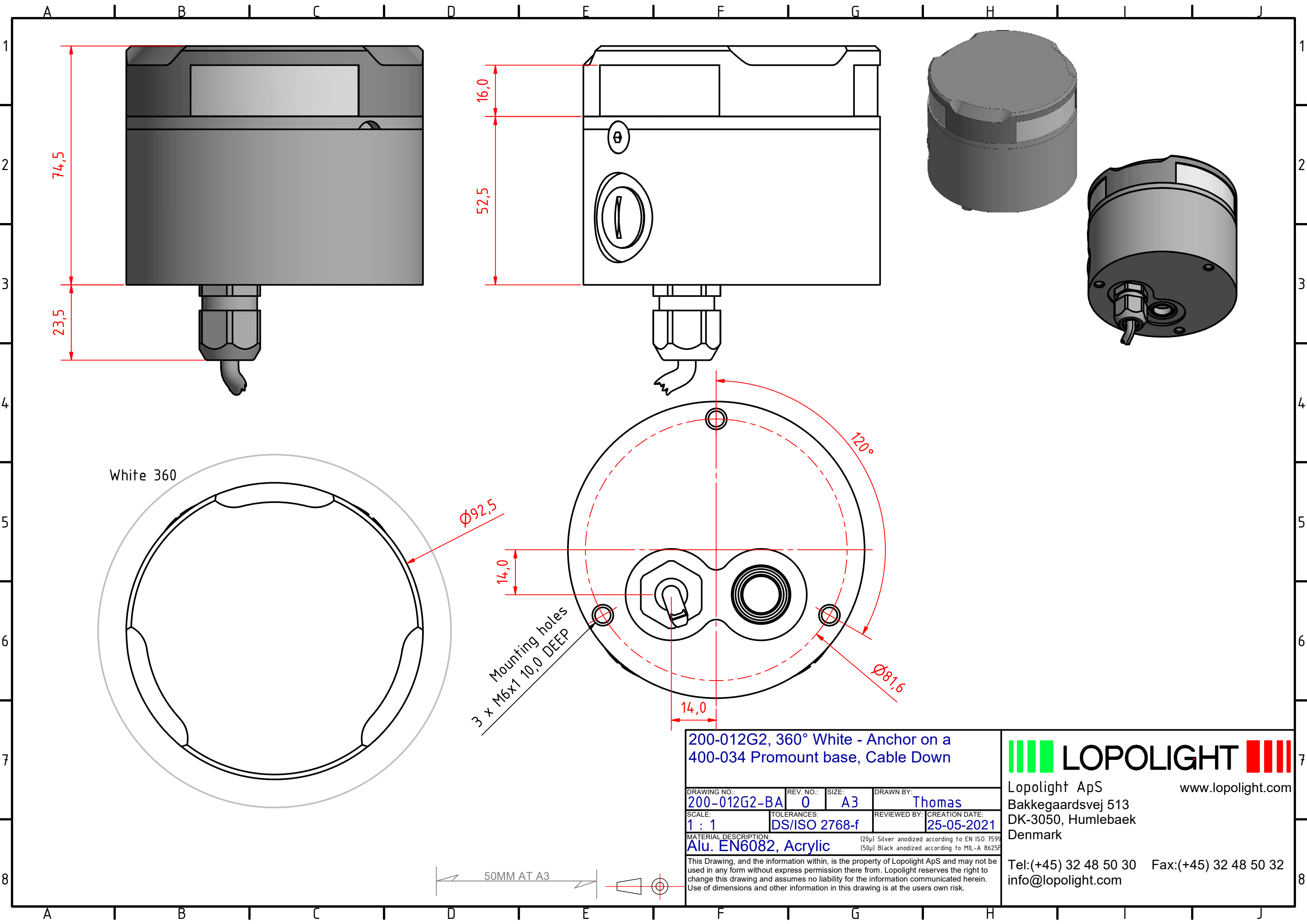
**Note:**  
 The PE Plastic base is intended for fitting on site and can be either drilled for mounting screws from above or drilled and tapped from below. 6mm machine screws with nuts and washers are recommended for secure mounting.




<b>200-012G2, 360° White - Anchor on a 400-038 PE std base</b>			
DRAWING NO.:	REV. NO.:	SIZE:	DRAWN BY:
200-012G2-AA	0	A3	Thomas
SCALE:	TOLERANCES:	REVIEWED BY:	CREATION DATE:
1 : 1	DS/ISO 2768-f		25-05-2021
MATERIAL DESCRIPTION:			
Alu. EN6082, Acrylic, PE (20µ) Silver anodized according to EN ISO 7599 (50µ) Black anodized according to MIL-A 8625F			
This Drawing, and the information within, is the property of Lopolight ApS and may not be used in any form without express permission there from. Lopolight reserves the right to change this drawing and assumes no liability for the information communicated herein. Use of dimensions and other information in this drawing is at the users own risk.			

**LOPOLIGHT**  
 Lopolight ApS [www.lopolight.com](http://www.lopolight.com)  
 Bakkegaardsvej 513  
 DK-3050, Humlebaek  
 Denmark  
 Tel:(+45) 32 48 50 30 Fax:(+45) 32 48 50 32  
 info@lopolight.com





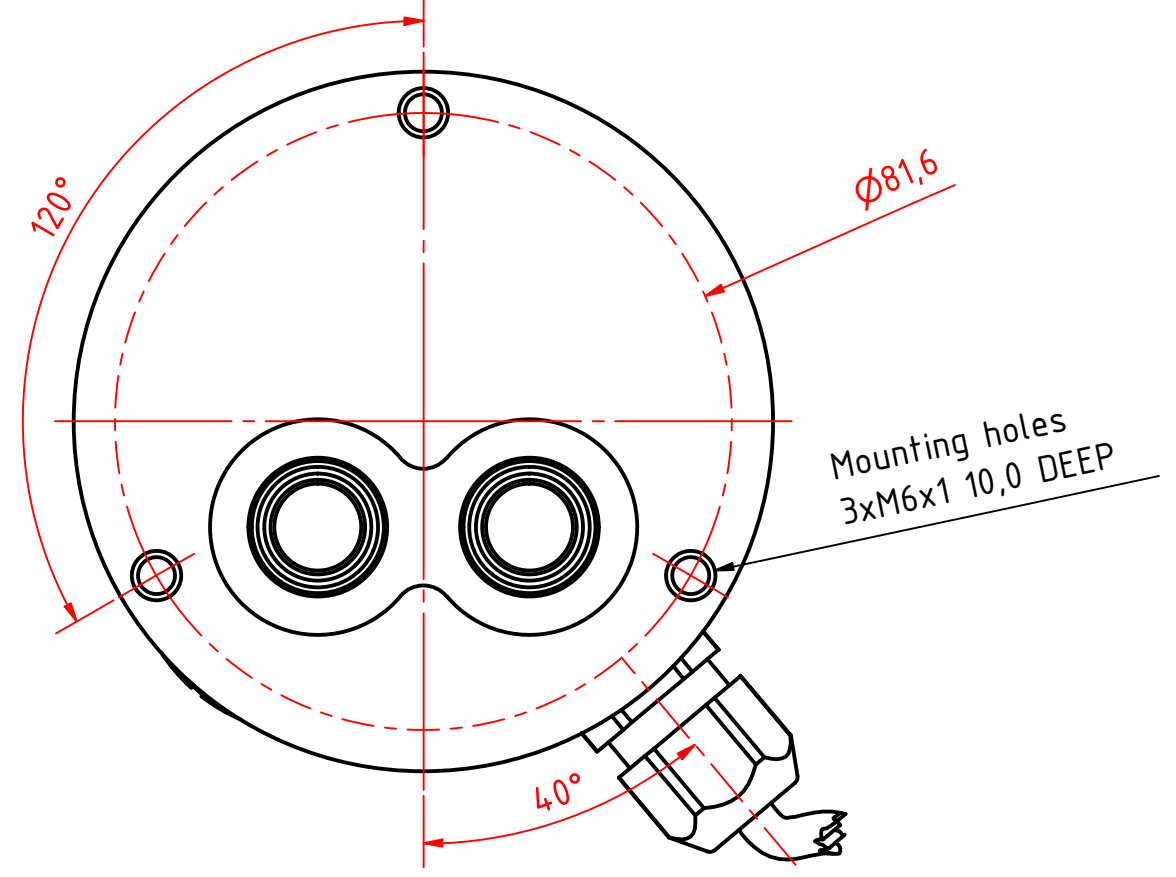
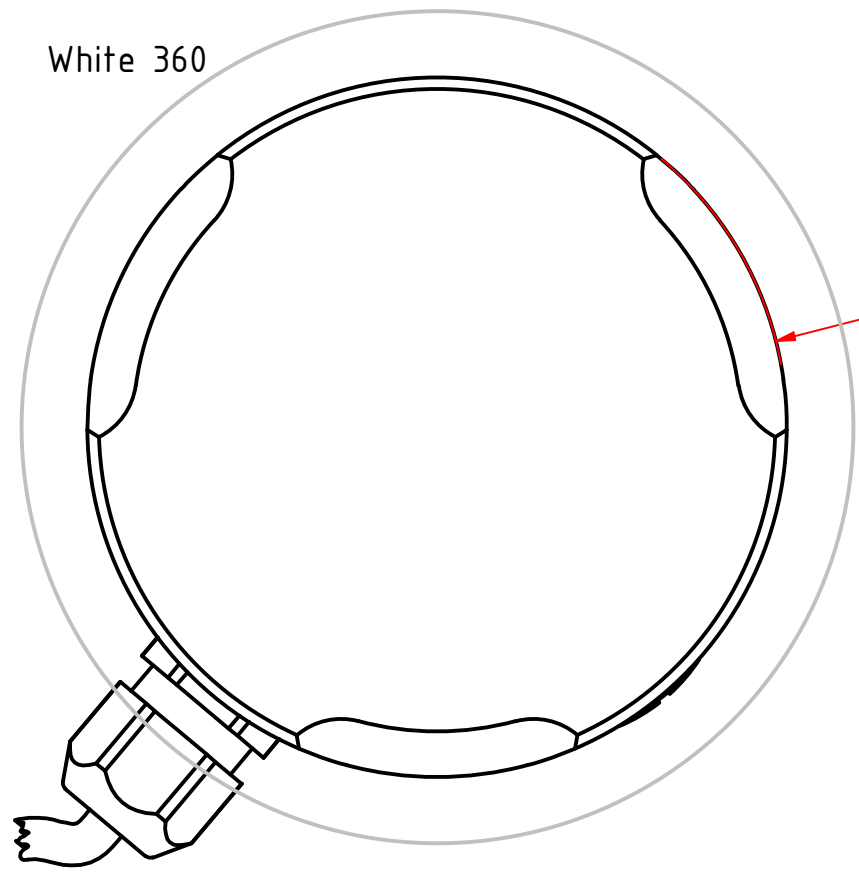
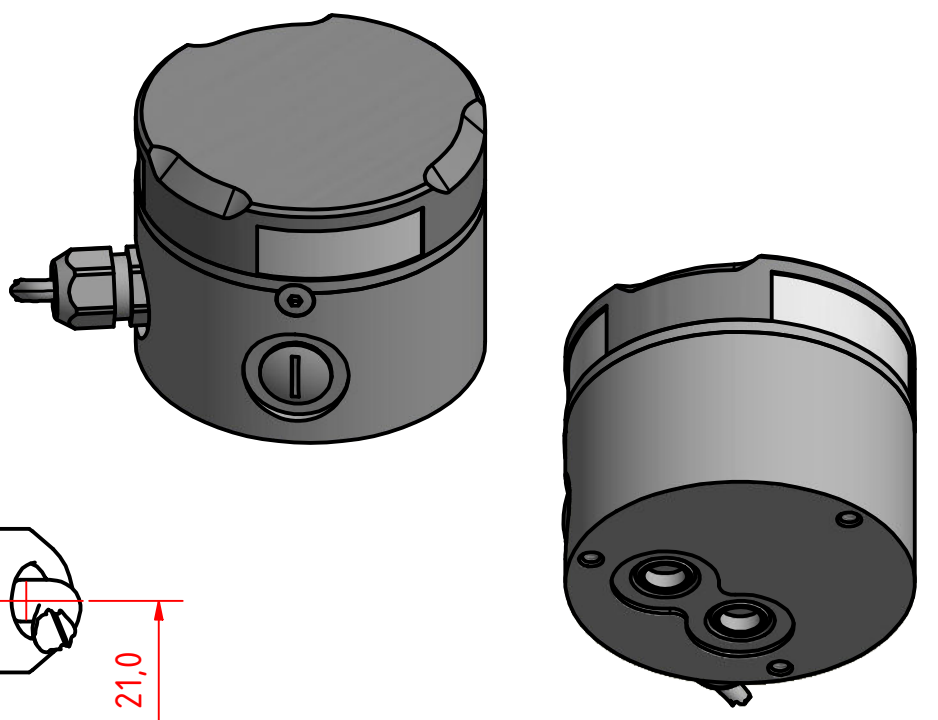
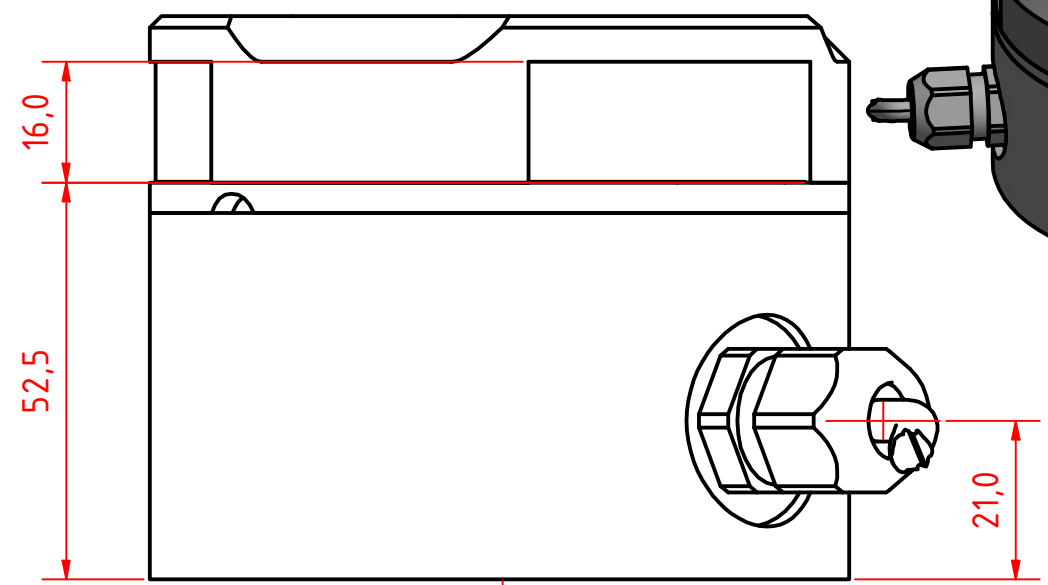
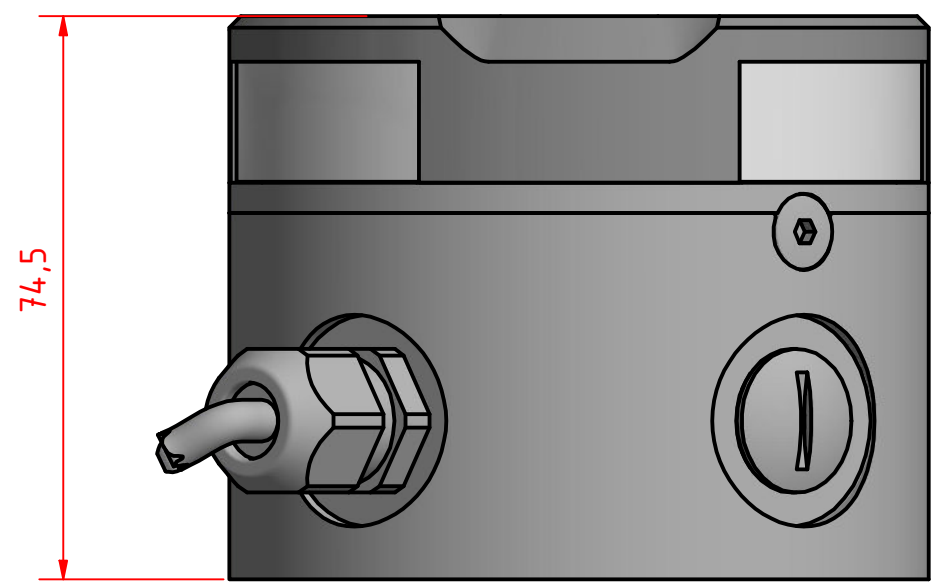
<b>200-012G2, 360° White - Anchor on a 400-034 Promount base, Cable Down</b>			
DRAWING NO.:	REV. NO.:	SIZE:	DRAWN BY:
200-012G2-BA	0	A3	Thomas
SCALE:	TOLERANCES:	REVIEWED BY:	CREATION DATE:
1 : 1	DS/ISO 2768-f		25-05-2021
MATERIAL DESCRIPTION:			
Alu. EN6082, Acrylic (20µ) Silver anodized according to EN ISO 7599 (50µ) Black anodized according to MIL-A 8625F			
This Drawing, and the information within, is the property of Lopolight ApS and may not be used in any form without express permission there from. Lopolight reserves the right to change this drawing and assumes no liability for the information communicated herein. Use of dimensions and other information in this drawing is at the users own risk.			



Lopolight ApS www.lopolight.com  
 Bakkegaardsvej 513  
 DK-3050, Humlebaek  
 Denmark

Tel: (+45) 32 48 50 30 Fax: (+45) 32 48 50 32  
 info@lopolight.com

50MM AT A3



200-012G2, 360° White - Anchor on a  
400-034 Promount base, Cable Side

DRAWING NO.:	REV. NO.:	SIZE:	DRAWN BY:
200-012G2-CA	0	A3	Thomas
SCALE:	TOLERANCES:	REVIEWED BY:	CREATION DATE:
1 : 1	DS/ISO 2768-f		25-05-2021

MATERIAL DESCRIPTION:  
Alu. EN6082, Acrylic (20µ) Silver anodized according to EN ISO 7599  
(50µ) Black anodized according to MIL-A 8625F

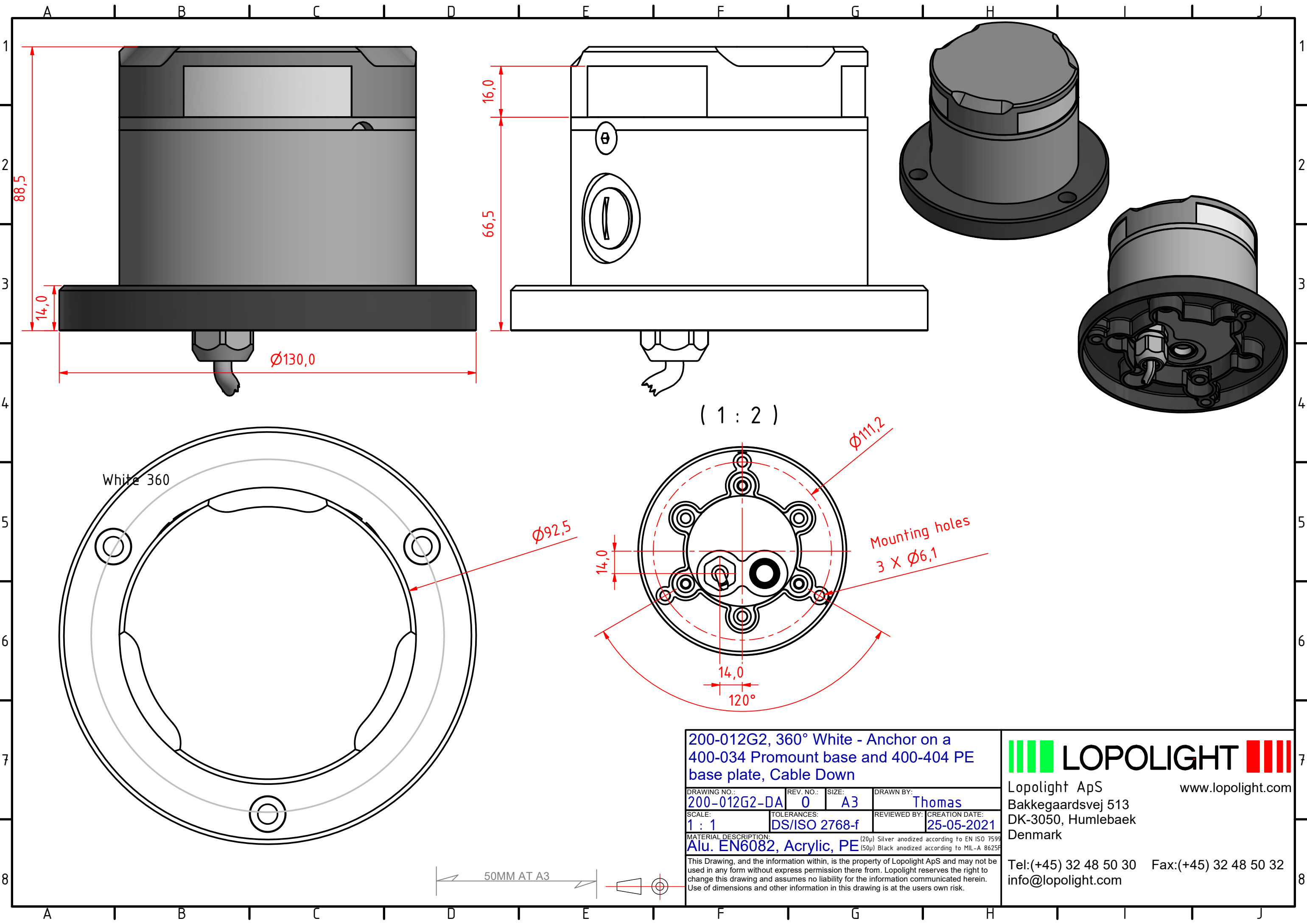
This Drawing, and the information within, is the property of Lopolight ApS and may not be used in any form without express permission there from. Lopolight reserves the right to change this drawing and assumes no liability for the information communicated herein. Use of dimensions and other information in this drawing is at the users own risk.



Lopolight ApS  
Bakkegaardsvej 513  
DK-3050, Humlebaek  
Denmark

Tel:(+45) 32 48 50 30 Fax:(+45) 32 48 50 32  
info@lopolight.com





<b>200-012G2, 360° White - Anchor on a 400-034 Promount base and 400-404 PE base plate, Cable Down</b>			
DRAWING NO.: 200-012G2-DA	REV. NO.: 0	SIZE: A3	DRAWN BY: Thomas
SCALE: 1 : 1	TOLERANCES: DS/ISO 2768-f	REVIEWED BY:	CREATION DATE: 25-05-2021
MATERIAL DESCRIPTION: Alu. EN6082, Acrylic, PE (20µ) Silver anodized according to EN ISO 7599 (50µ) Black anodized according to MIL-A 8625F			
This Drawing, and the information within, is the property of Lopolight ApS and may not be used in any form without express permission there from. Lopolight reserves the right to change this drawing and assumes no liability for the information communicated herein. Use of dimensions and other information in this drawing is at the users own risk.			

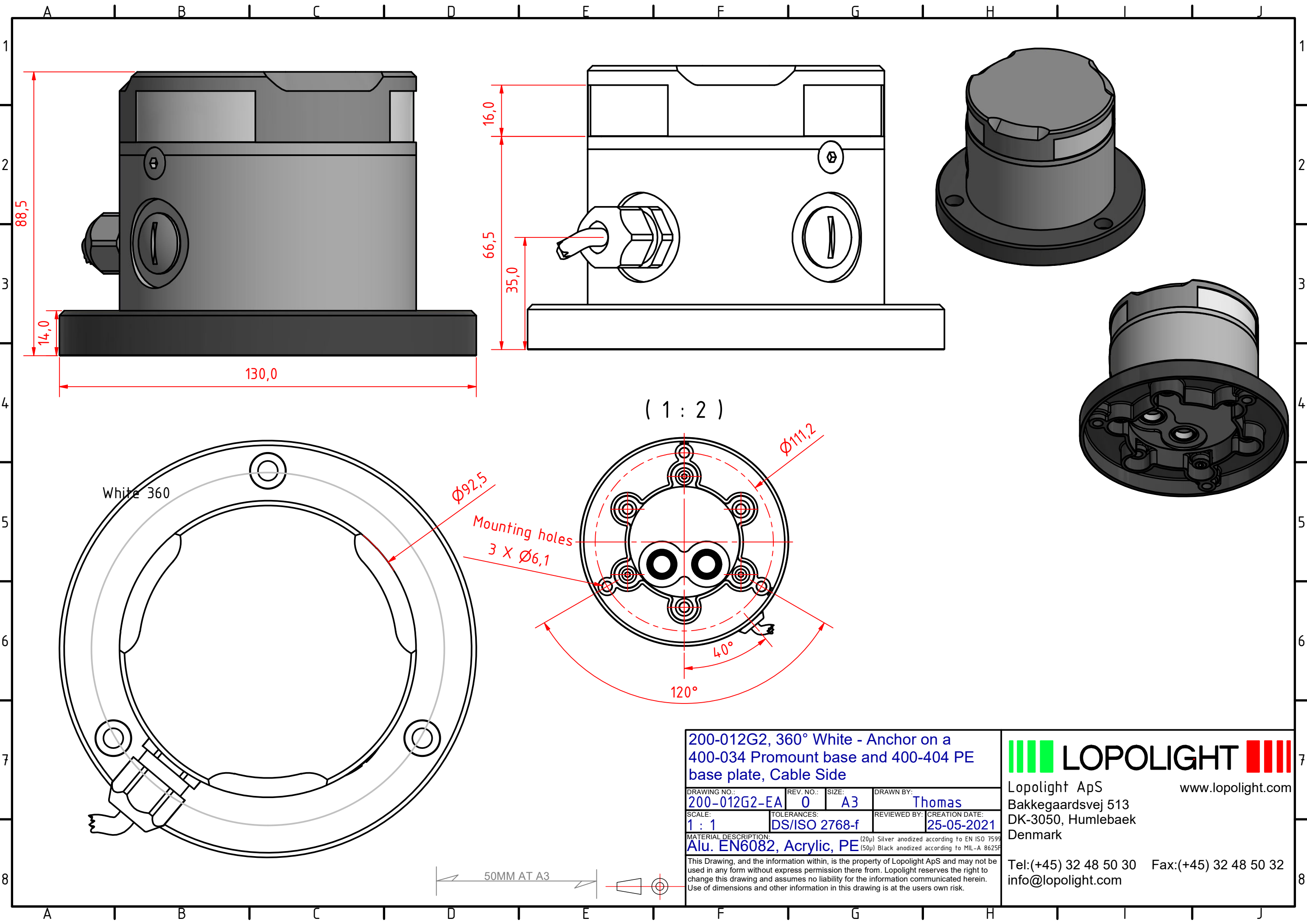
**LOPOLIGHT**

Lopolight ApS  
 Bakkegaardsvej 513  
 DK-3050, Humlebaek  
 Denmark

www.lopolight.com

Tel:(+45) 32 48 50 30 Fax:(+45) 32 48 50 32  
 info@lopolight.com

50MM AT A3



White 360

( 1 : 2 )

Mounting holes  
3 X Ø6,1

Ø111,2

120°

200-012G2, 360° White - Anchor on a  
400-034 Promount base and 400-404 PE  
base plate, Cable Side

DRAWING NO.:	REV. NO.:	SIZE:	DRAWN BY:
200-012G2-EA	0	A3	Thomas
SCALE:	TOLERANCES:	REVIEWED BY:	CREATION DATE:
1 : 1	DS/ISO 2768-f		25-05-2021

MATERIAL DESCRIPTION:  
Alu. EN6082, Acrylic, PE (20µ) Silver anodized according to EN ISO 7599  
(50µ) Black anodized according to MIL-A 8625F

This Drawing, and the information within, is the property of Lopolight ApS and may not be used in any form without express permission there from. Lopolight reserves the right to change this drawing and assumes no liability for the information communicated herein. Use of dimensions and other information in this drawing is at the users own risk.

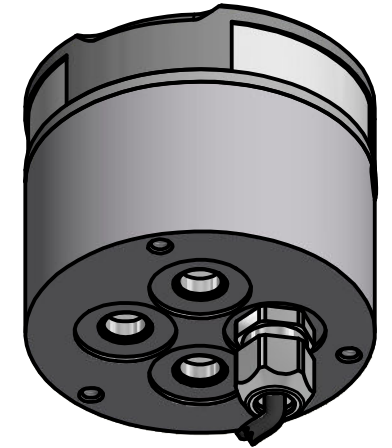
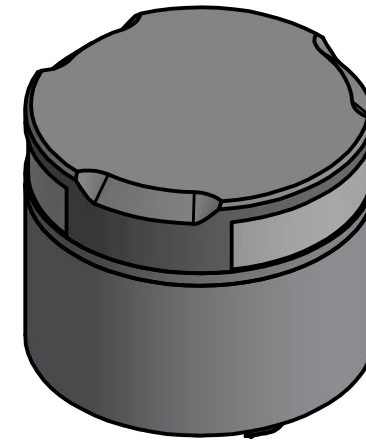
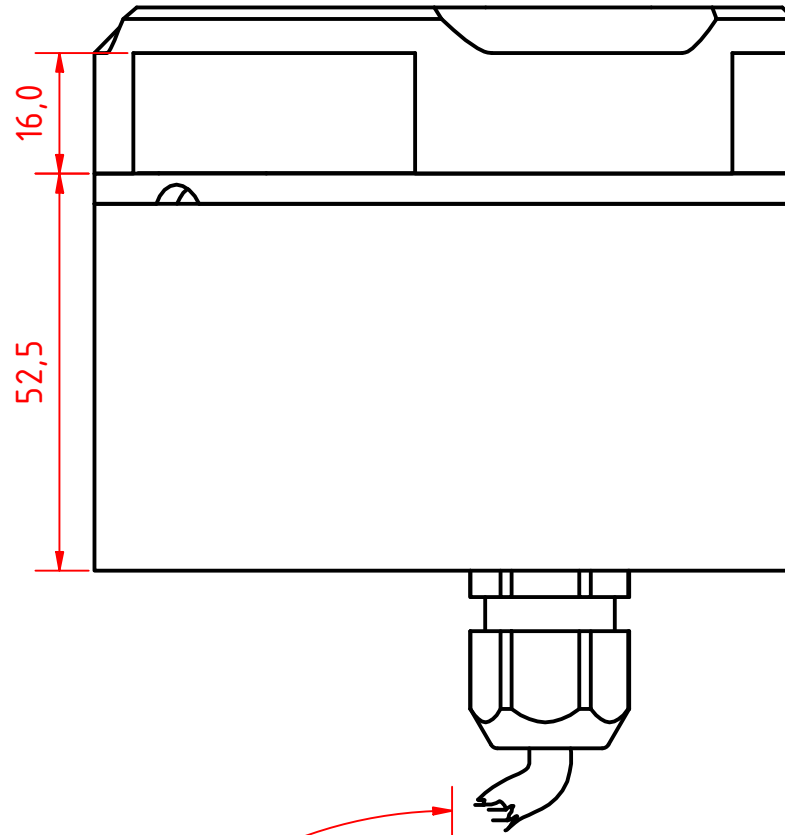
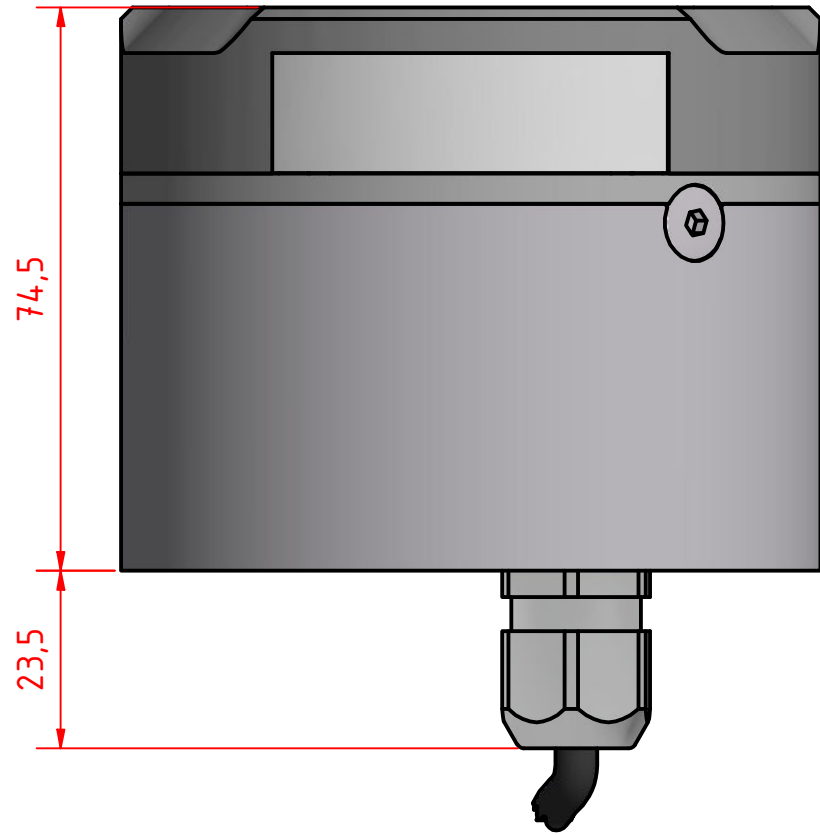


Lopolight ApS  
Bakkegaardsvej 513  
DK-3050, Humlebaek  
Denmark

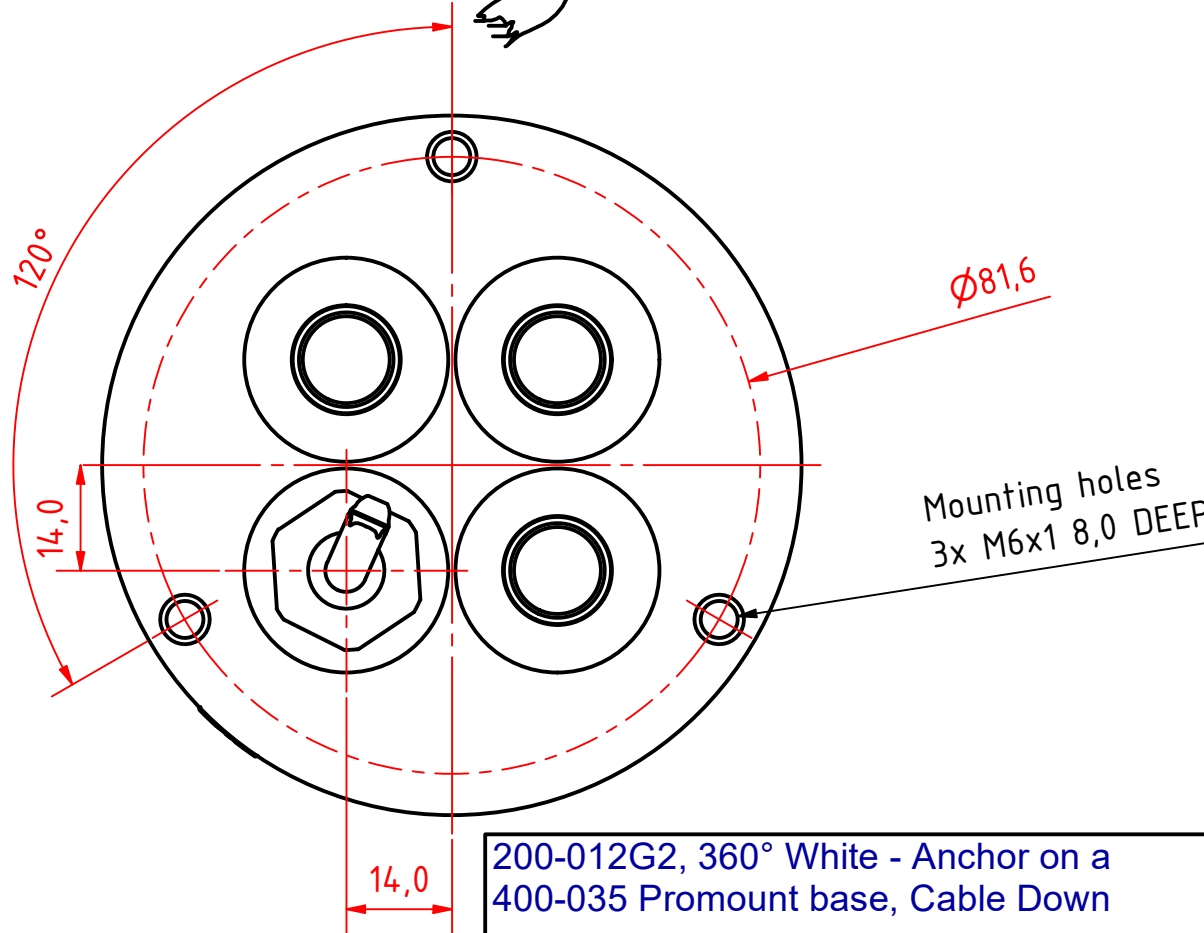
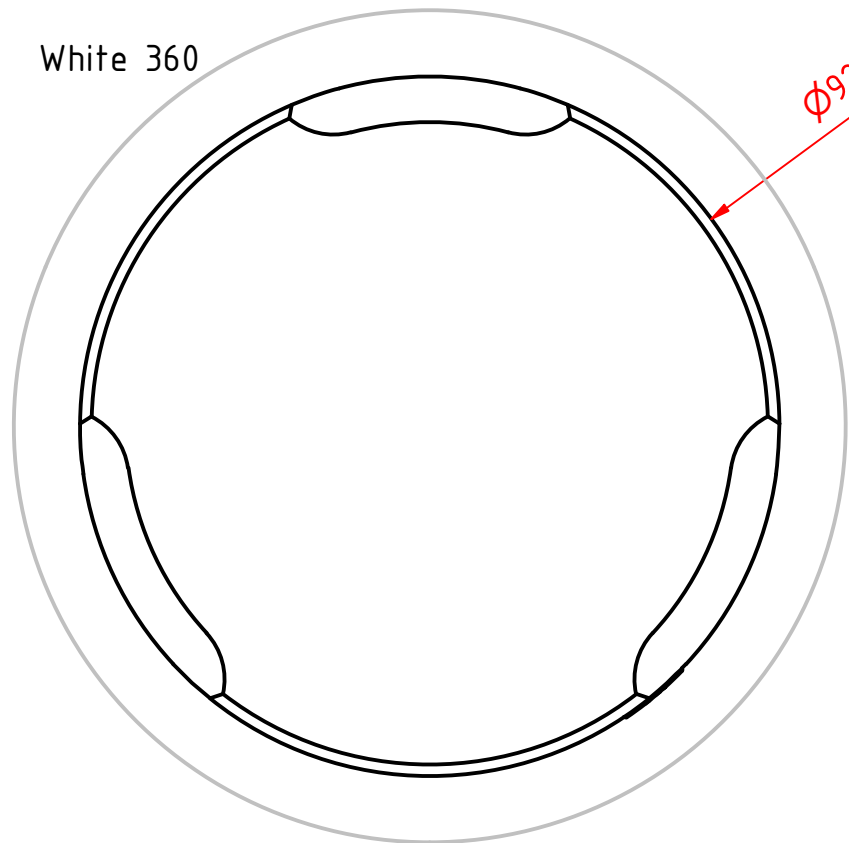
Tel:(+45) 32 48 50 30 Fax:(+45) 32 48 50 32  
info@lopolight.com

www.lopolight.com

50MM AT A3



White 360



200-012G2, 360° White - Anchor on a 400-035 Promount base, Cable Down

DRAWING NO.: 200-012G2-FA	REV. NO.: 0	SIZE: A3	DRAWN BY: Thomas
SCALE: 1 : 1	TOLERANCES: DS/ISO 2768-f	REVIEWED BY:	CREATION DATE: 25-05-2021

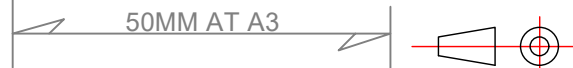
MATERIAL DESCRIPTION:  
Alu. EN6082, Acrylic (20µ) Silver anodized according to EN ISO 7599 (50µ) Black anodized according to MIL-A 8625F

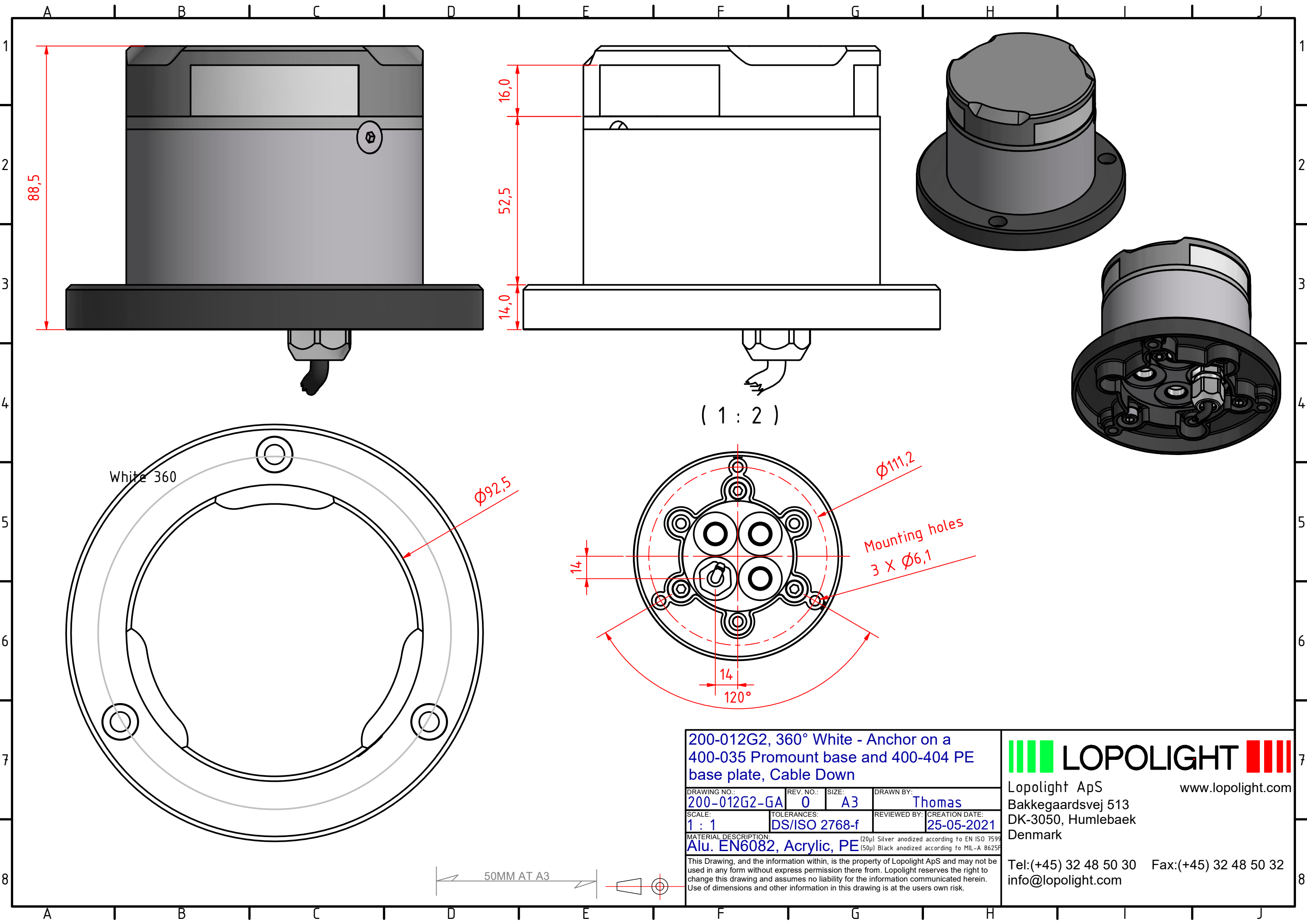
This Drawing, and the information within, is the property of Lopolight ApS and may not be used in any form without express permission there from. Lopolight reserves the right to change this drawing and assumes no liability for the information communicated herein. Use of dimensions and other information in this drawing is at the users own risk.



Lopolight ApS  
Bakkegaardsvej 513  
DK-3050, Humlebaek  
Denmark

Tel:(+45) 32 48 50 30 Fax:(+45) 32 48 50 32  
info@lopolight.com





White 360

<b>200-012G2, 360° White - Anchor on a 400-035 Promount base and 400-404 PE base plate, Cable Down</b>			
DRAWING NO.: 200-012G2-GA	REV. NO.: 0	SIZE: A3	DRAWN BY: Thomas
SCALE: 1 : 1	TOLERANCES: DS/ISO 2768-f	REVIEWED BY:	CREATION DATE: 25-05-2021
MATERIAL DESCRIPTION: Alu. EN6082, Acrylic, PE (20µ) Silver anodized according to EN ISO 7599 (50µ) Black anodized according to MIL-A 8625F			
This Drawing, and the information within, is the property of Lopolight ApS and may not be used in any form without express permission there from. Lopolight reserves the right to change this drawing and assumes no liability for the information communicated herein. Use of dimensions and other information in this drawing is at the users own risk.			

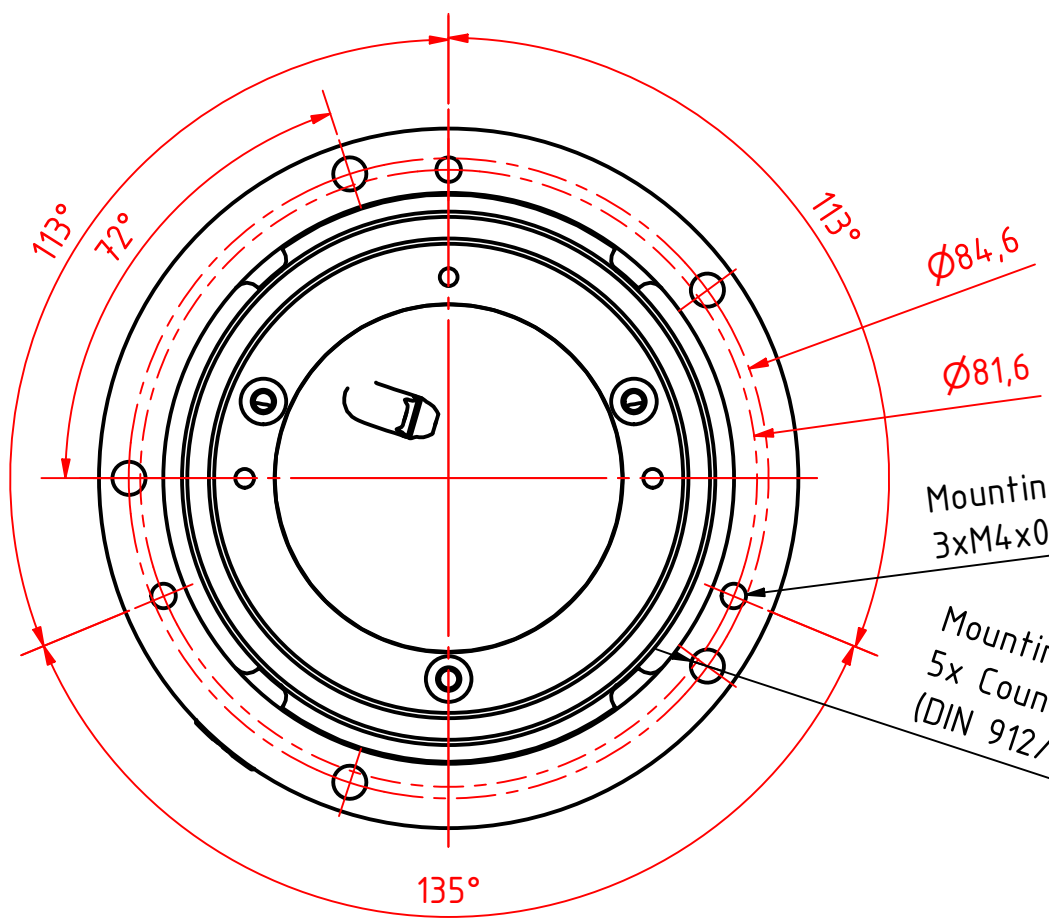
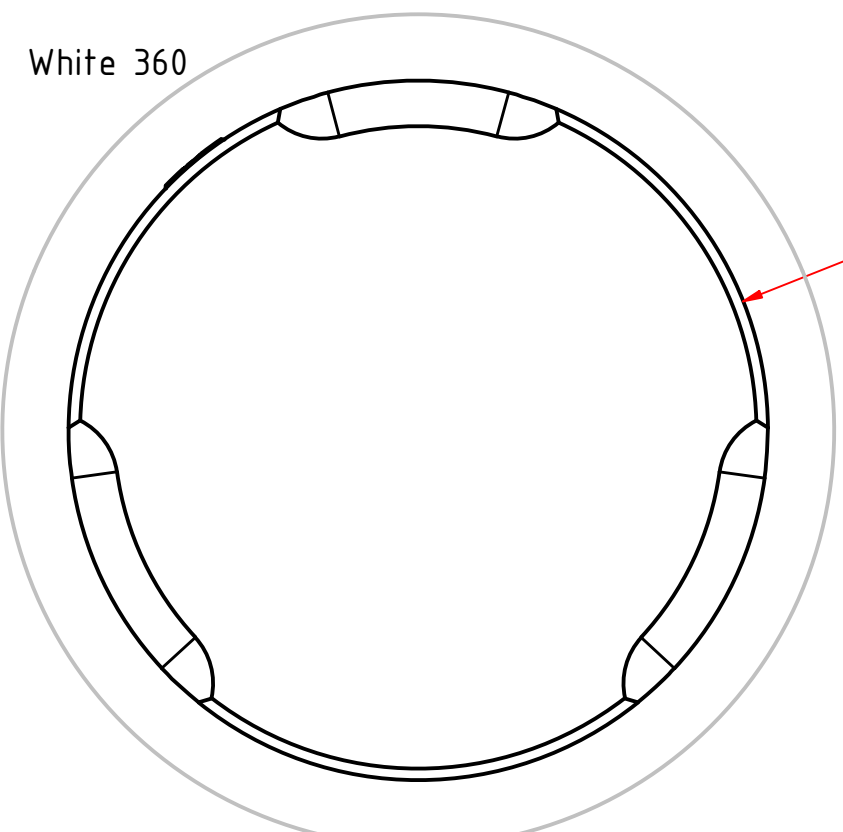
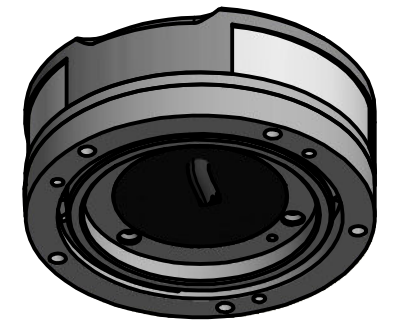
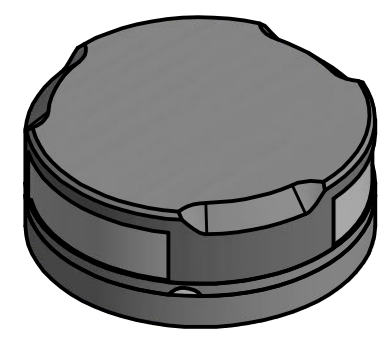
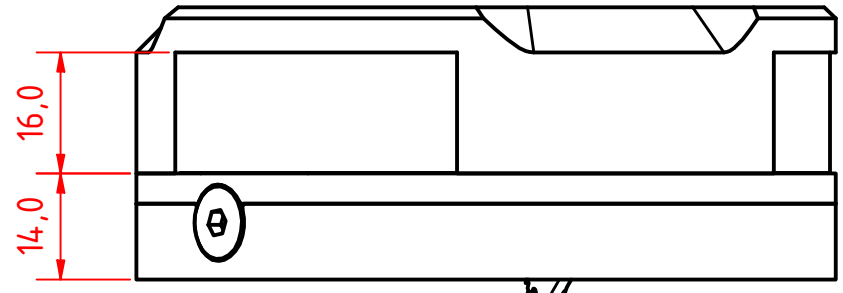
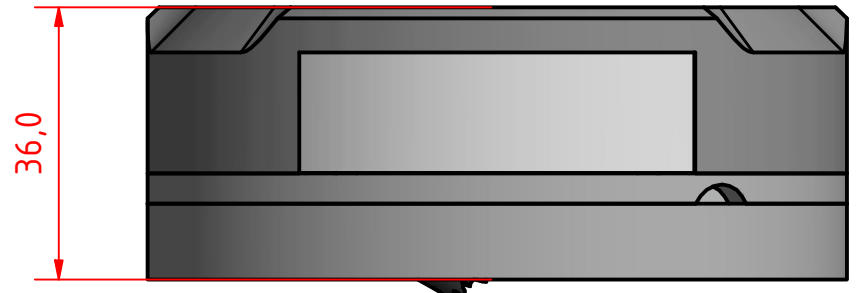
**LOPOLIGHT**

Lopolight ApS  
 Bakkegaardsvej 513  
 DK-3050, Humlebaek  
 Denmark

www.lopolight.com

Tel:(+45) 32 48 50 30 Fax:(+45) 32 48 50 32  
 info@lopolight.com

50MM AT A3



Mounting holes (Mount from underside)  
3xM4x0.7 Thru

Mounting holes (Mount from top)  
5x Countersunk for 4 mm cylinderhead  
(DIN 912/ISO4762))

200-012G2, 360° White - Anchor on a  
400-036 Ultra Low profile base

DRAWING NO.: 200-012G2	REV. NO.: 0	SIZE: A3	DRAWN BY: Thomas
SCALE: 1 : 1	TOLERANCES: DS/ISO 2768-f	REVIEWED BY:	CREATION DATE: 25-05-2021

MATERIAL DESCRIPTION:  
Alu. EN6082, Acrylic (20µ) Silver anodized according to EN ISO 7599  
(50µ) Black anodized according to MIL-A 8625F

This Drawing, and the information within, is the property of Lopolight ApS and may not be used in any form without express permission there from. Lopolight reserves the right to change this drawing and assumes no liability for the information communicated herein. Use of dimensions and other information in this drawing is at the users own risk.



Lopolight ApS  
Bakkegaardsvej 513  
DK-3050, Humlebaek  
Denmark

Tel:(+45) 32 48 50 30 Fax:(+45) 32 48 50 32  
info@lopolight.com

