

225° MASTHEAD LIGHT, SINGLE, VERTICALLY MOUNTED

2 nautical miles	201-010 (<12m / <39.4')
3 nautical miles	201-011 (12m – 20m / 39.4' - 65.6')
5 nautical miles	301-011 (20m – 50m / 65.6' – 164')

This LED navigation light consists of two high-power LEDs that produces light in the specified angle utilizing special designed PMMA light guides.

The precision machined 6082 aluminium housing with an anodized surface makes the light a rugged and durable housing for the LEDs and electronics contained within.

The interior is completely filled with a special potting resin making it water- and vibration proof.

Produced in our in-house manufacturing facility to meet and exceed exacting standards such as EN14744 and UL1104, under a quality management system continuously surveyed by Lloyds Register Quality Assurance.

Each light is subjected to final testing for a minimum of 16 hours of continuous operation bringing the total test time beyond 24 hours.

This navigation light is in compliance with the following standards:

- COLREG72
- EN14744
- IEC 60945
- USCG (UL1104)

Together with an appropriate Control & Monitoring System, such as Lopolight's own NLC* this navigation light can form part of an IMO MSC 253(83), LY3 and LY4 compliant system.



Technical specifications**201-010;**

Vessel size: <12m (<39.4')

Visibility: >2 nautical miles

Intensity: >5,4cd

Power consumption: 2,5 Watt; Current: 0,21A @12 VDC - 0,10A @24 VDC

201-011;

Vessel size: 12m – 20m (39.4' – 65.6')

Visibility: >3 nautical miles

Intensity: >15cd

Power consumption: 4,9 Watt; Current: 0,41A @12 VDC - 0,20A @24 VDC

301-011;

Vessel size: 20m – 50m (65.6' – 164')

Visibility: >5 nautical miles

Intensity: >65cd

Power consumption: 8,5 Watt; Current: 0,71A @12 VDC - 0,35A @24 VDC

Operating voltage: 10 - 32 VDC

Number of LEDs: 2

Light colour: **White**

Operating temperature: -25°C to +55°C

IP rating: **IP68**Mounting: **Vertical**Connection: 1 cable consisting of 2 x 0,5 mm² leads, a screen and insulation.

- Red lead = Power
- Black lead = GND

Certification: **Pending**

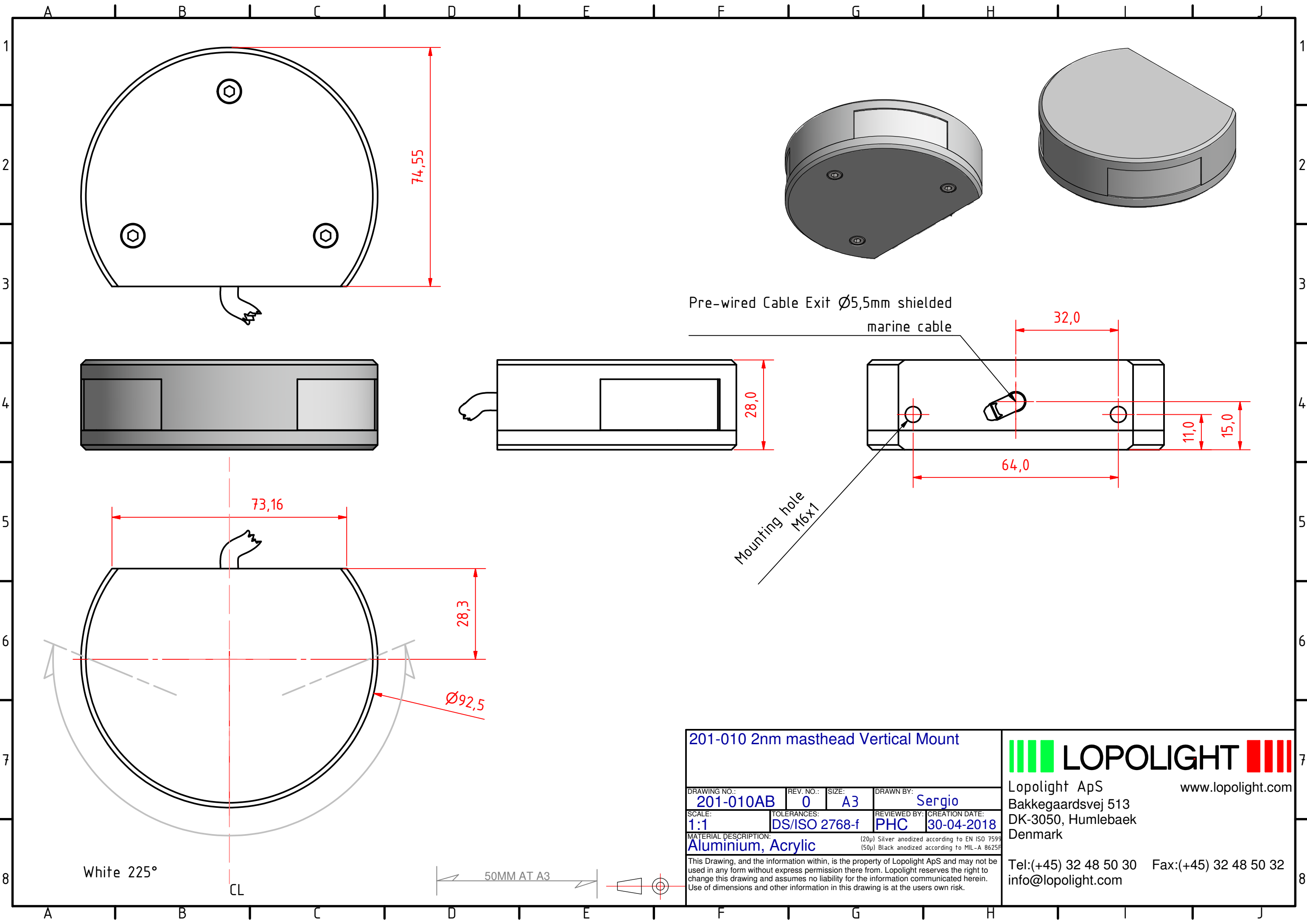
The product is in compliance with the following standard(s):

COLREG72/ EN14744 / IEC 60945 / USCG (UL1104)Dimensions: **See drawing**Weight: **0,61kg**Included in package:

- 1 pc. Navigation light w. deck light, pre-cabled with 0,75m marine grade cable
- 2 pcs. Mounting screws (M6 x 8 mm)
- Installation instructions

Ordering information

VISIBILITY	CABLE LENGTH	PART NUMBER SILVER FINISH	PART NUMBER BLACK FINISH
2 nautical miles	0,75m / 2.5' (standard)	201-010	201-010-B
	15m / 49.1'	201-010 15M	201-010-B 15M
3 nautical miles	0,75m / 2.5' (standard)	201-011	201-011-B
	15m / 49.1'	201-011 15M	201-011-B 15M
5 nautical miles	0,75m / 2.5' (standard)	301-011	301-011-B
	10m / 32.8'	301-011 10M	301-011-B 10M
	20m / 65.6'	301-011 20M	301-011-B 20M
	30m / 98.4'	301-011 30M	301-011-B 30M



Pre-wired Cable Exit \varnothing 5,5mm shielded marine cable

Mounting hole M6x1

201-010 2nm masthead Vertical Mount			
DRAWING NO.: 201-010AB	REV. NO.: 0	SIZE: A3	DRAWN BY: Sergio
SCALE: 1:1	TOLERANCES: DS/ISO 2768-f	REVIEWED BY: PHC	CREATION DATE: 30-04-2018
MATERIAL DESCRIPTION: Aluminium, Acrylic			
<small>(20μ) Silver anodized according to EN ISO 7599 <small>(50μ) Black anodized according to MIL-A 8625F</small> </small>			
<small>This Drawing, and the information within, is the property of Lopolight ApS and may not be used in any form without express permission there from. Lopolight reserves the right to change this drawing and assumes no liability for the information communicated herein. Use of dimensions and other information in this drawing is at the users own risk.</small>			

LOPOLIGHT
 Lopolight ApS
 Bakkegaardsvej 513
 DK-3050, Humlebaek
 Denmark
 www.lopolight.com
 Tel:(+45) 32 48 50 30 Fax:(+45) 32 48 50 32
 info@lopolight.com