

112,5°+ 112,5° COMBINED STARBOARD AND PORT SIDELIGHT, SINGLE, HORIZONTALLY MOUNTED

1 nautical mile	101-003 (<12m / <39.4')
2 nautical miles	201-003 (12 – 50m / 39.4' – 164')

This LED navigation light consists of two high-power LEDs that produces light in the specified angles utilizing special designed PMMA light guides.

The precision machined 6082 aluminium housing with an anodized surface makes the light a rugged and durable housing for the LEDs and electronics contained within.

The interior is completely filled with a special potting resin making it water- and vibration proof.

Produced in our in-house manufacturing facility to meet and exceed exacting standards such as EN14744 and UL1104, under a quality management system continuously surveyed by Lloyds Register Quality Assurance.

Each light is subjected to final testing for a minimum of 16 hours of continuous operation bringing the total test time beyond 24 hours.

This navigation light is in compliance with the following standards:

- COLREG72
- EN14744
- IEC 60945
- USCG (UL1104)

Together with an appropriate Control & Monitoring System, such as Lopolight's own NLC* this navigation light can form part of an IMO MSC 253(83), LY3 and LY4 compliant system.



Technical specifications

101-003;

Vessel size: <12m (<39.4')

Visibility: >1 nautical mile

Intensity: >1,2cd

Power consumption: 3,12 Watt; Current: 0,26A @12 VDC - 0,12A @24 VDC

201-003;

Vessel size: 12m – 50m (39.4' - 164')

Visibility: >2 nautical miles

Intensity: >5,4cd

Power consumption: 5,4 Watt; Current: 0,45A @12 VDC - 0,22A @24 VDC

Operating voltage: 10 - 32 VDC

Number of LEDs: 2

Light colour: Green / Red

Operating temperature: -25°C to +55°C

IP rating: IP68

Mounting: Horizontal, see K-Lock sheet for options

Connection: 1 cable consisting of 2 x 0,5 mm² leads, a screen and insulation.

- Red lead = Power
- Black lead = GND

Certification: Pending

The product is in compliance with the following standard(s):

COLREG72/ EN14744 / IEC 60945 / USCG (UL1104)

Dimensions: See drawing

Weight: 0,43kg

Included in the standard package:

- 1 pc. Navigation light, pre-cabled with 2,5m marine grade cable on HDPE base
- Installation instructions

Ordering information for 101-003 (1 Nautical mile)

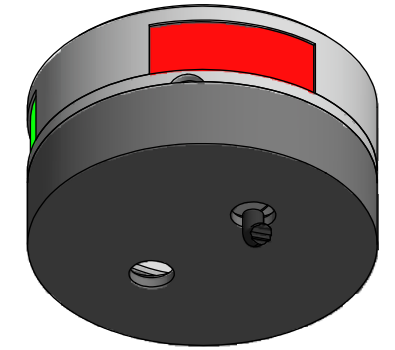
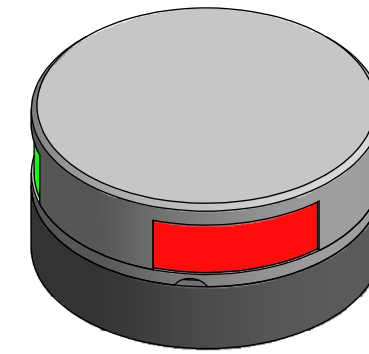
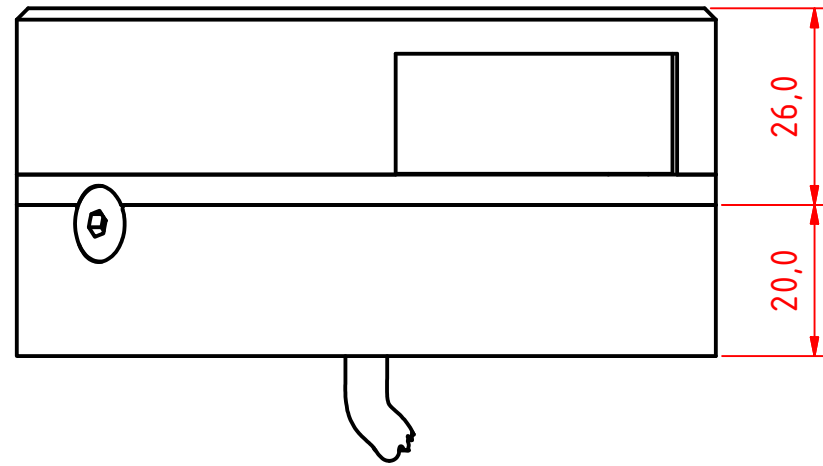
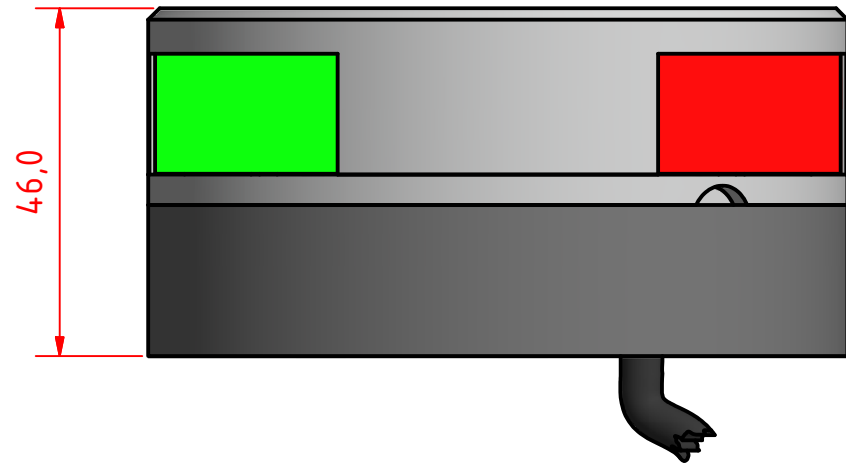
BASE OPTION	CABLE LENGTH	PART NUMBER SILVER FINISH	PART NUMBER BLACK FINISH
400-038 (drawing G) HDPE base (standard)	2,5m / 8.2' (standard)	101-003	101-003-B
400-034 (drawing A - D) CSCD base	2,5m / 8.2'	101-003-CSCD	101-003-B-CSCD
400-035 (drawing E - F) CD base	2,5m / 8.2'	101-003-CD	101-003-B-CD
400-036 (drawing I) Ultra low base	2,5m / 8.2'	101-003-UL	101-003-B-UL

Ordering information for 201-003 (2 Nautical miles)

BASE OPTION	CABLE LENGTH	PART NUMBER SILVER FINISH	PART NUMBER BLACK FINISH
400-038 (drawing G) HDPE base (standard)	2,5m / 8.2' (standard)	201-003	201-003-B
400-034 (drawing A - D) CSCD base	2,5m / 8.2'	201-003-CSCD	201-003-B-CSCD
400-035 (drawing E - F) CD base	2,5m / 8.2'	201-003-CD	201-003-B-CD
400-036 (drawing I) Ultra low base	2,5m / 8.2'	201-003-UL	201-003-B-UL

A B C D E F G H I J

1

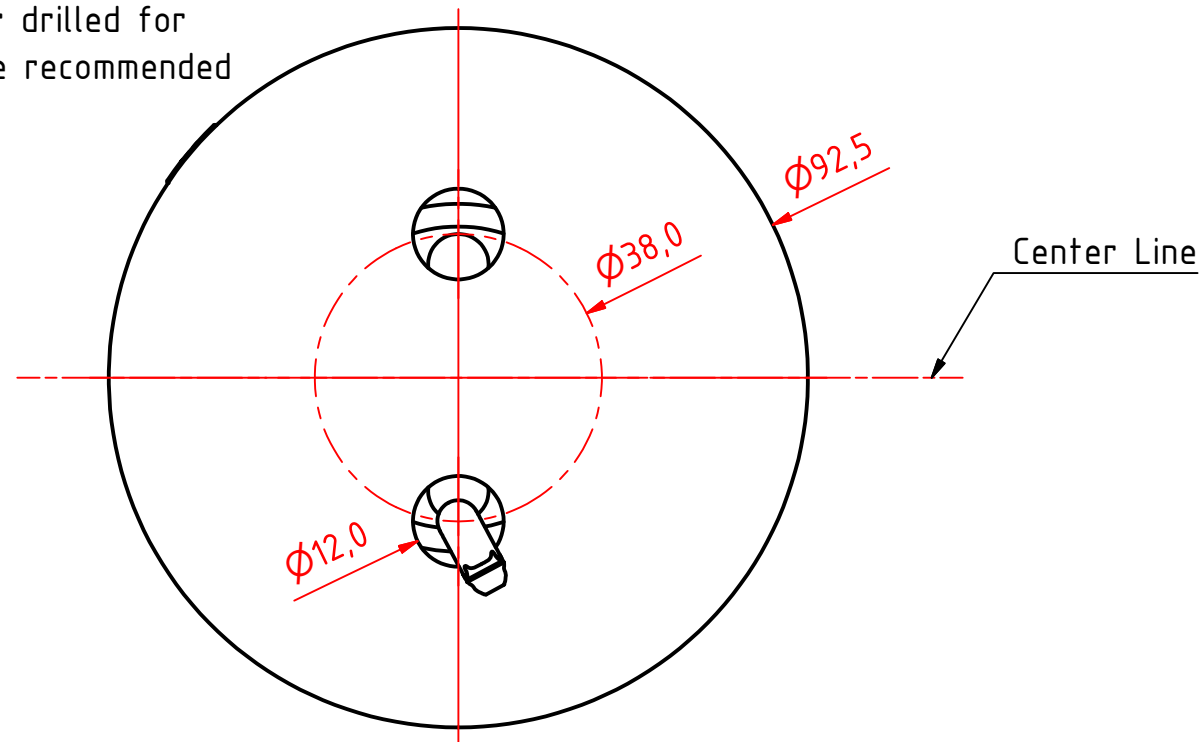
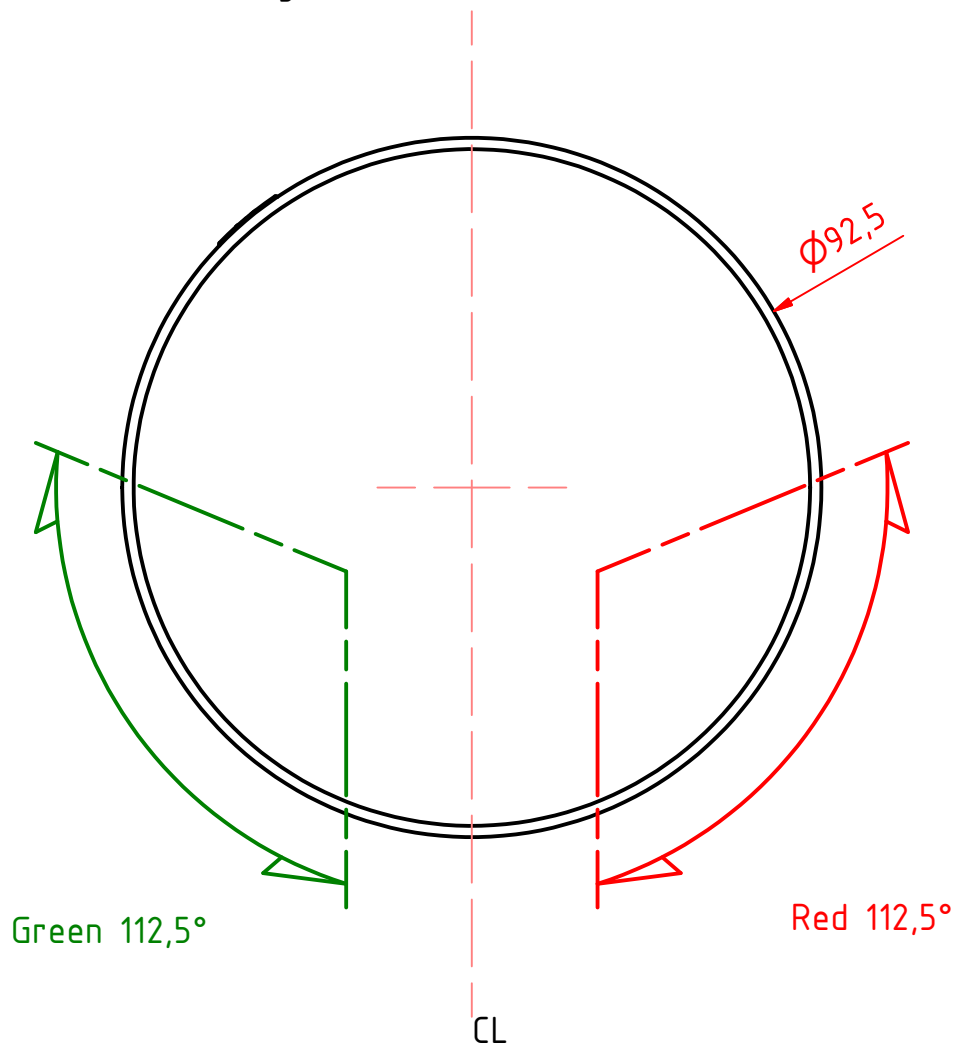


Note:

The PE Plastic base is intended for fitting on site and can be either drilled for mounting screws from above. 6mm screws with nuts and washers are recommended for secure mounting.

3

4



5

6

7

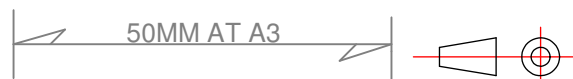
8

101-003 1nm comb side light, HM, on a 400-038 PE std base			
DRAWING NO.: 101-003GA	REV. NO.: 0	SIZE: A3	DRAWN BY: Sergio
SCALE: 1:1	TOLERANCES: DS/ISO 2768-f	REVIEWED BY: PHC	CREATION DATE: 23-04-2018
MATERIAL DESCRIPTION: EN 6082, Acrylic, PE (20µ) Silver anodized according to EN ISO 7599 (50µ) Black anodized according to MIL-A 8625F			
This Drawing, and the information within, is the property of Lopolight ApS and may not be used in any form without express permission there from. Lopolight reserves the right to change this drawing and assumes no liability for the information communicated herein. Use of dimensions and other information in this drawing is at the users own risk.			

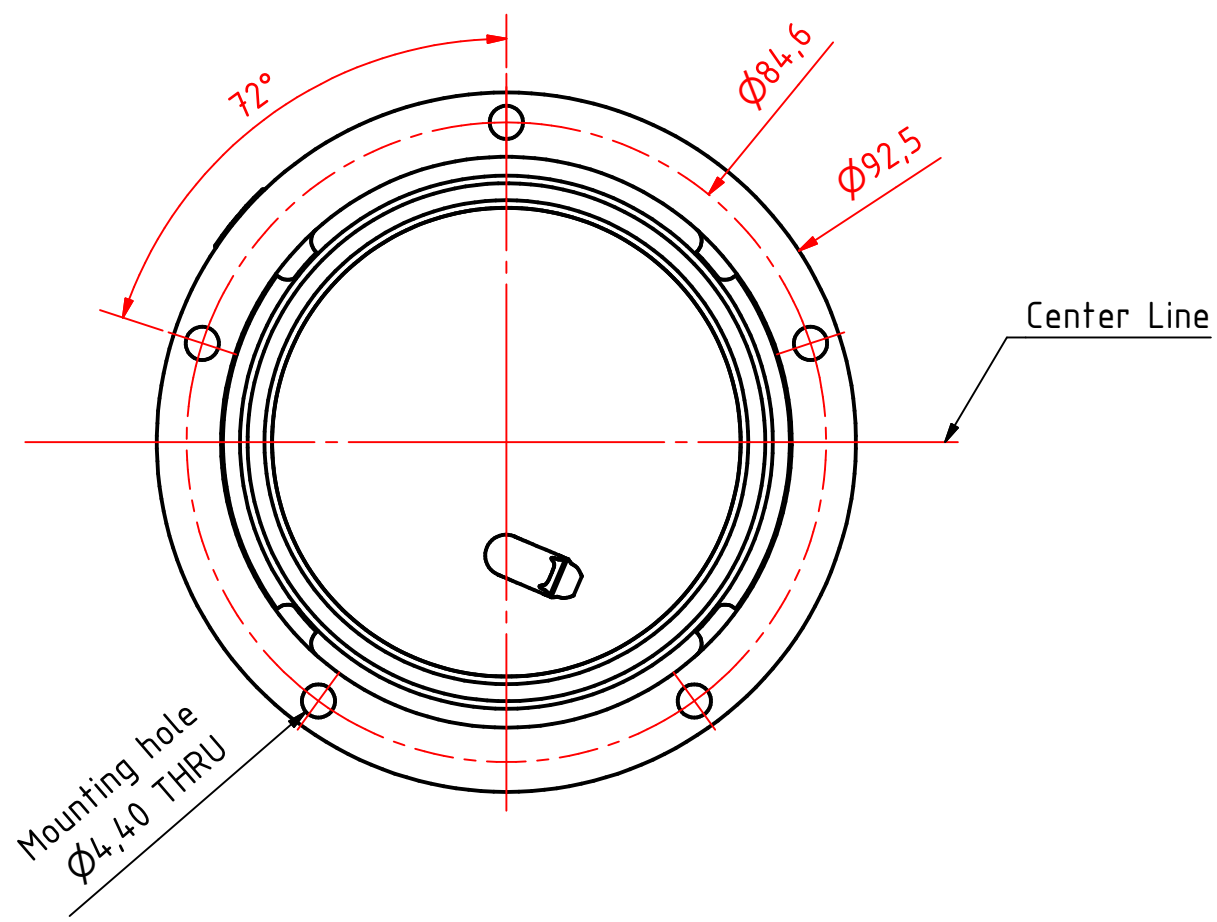
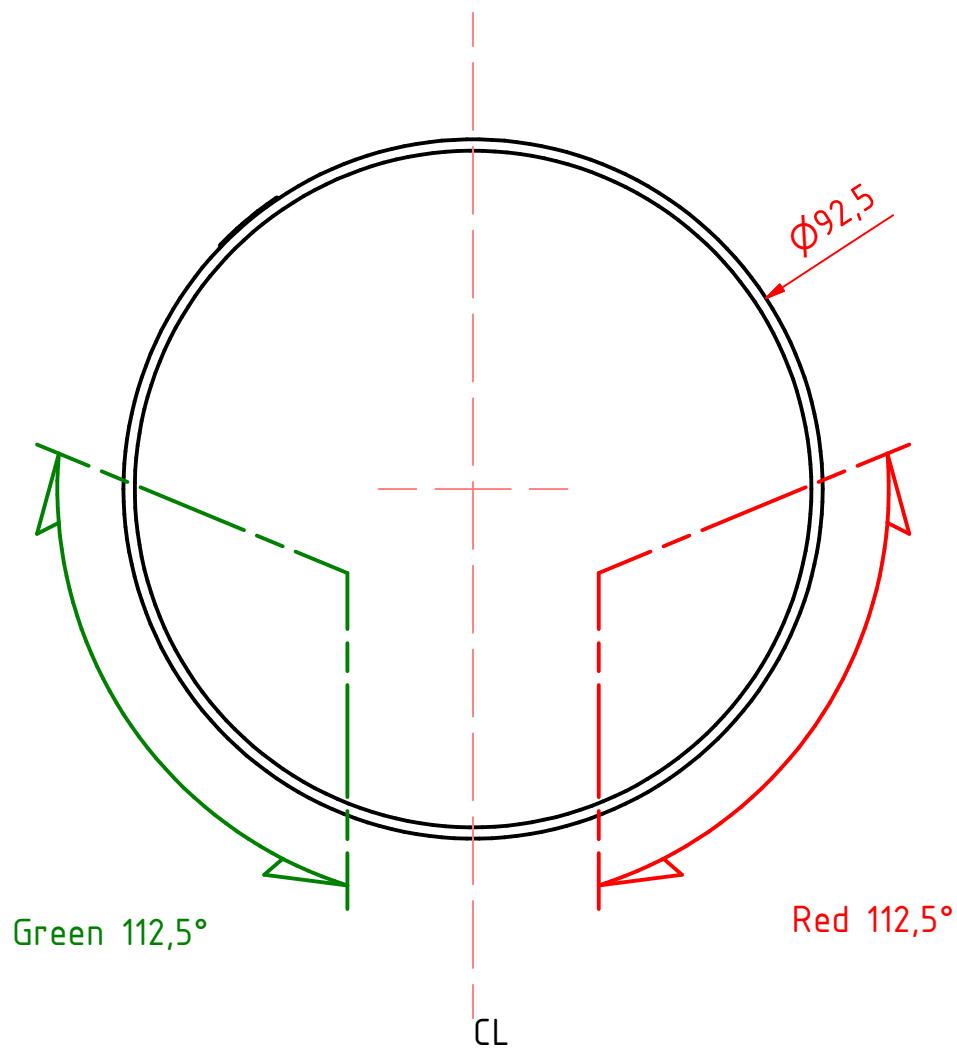
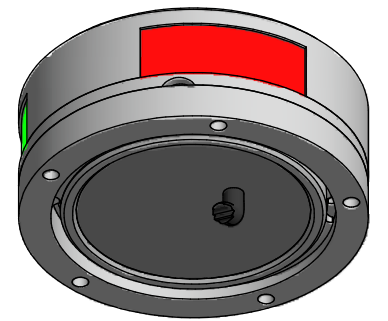
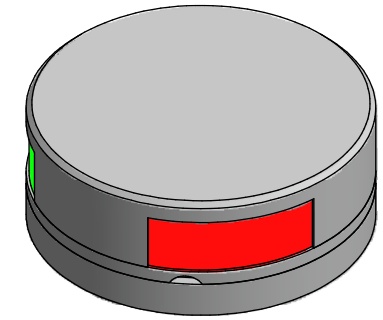
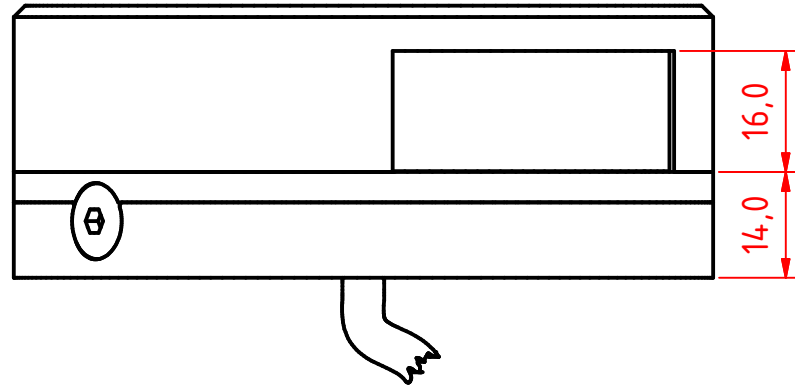
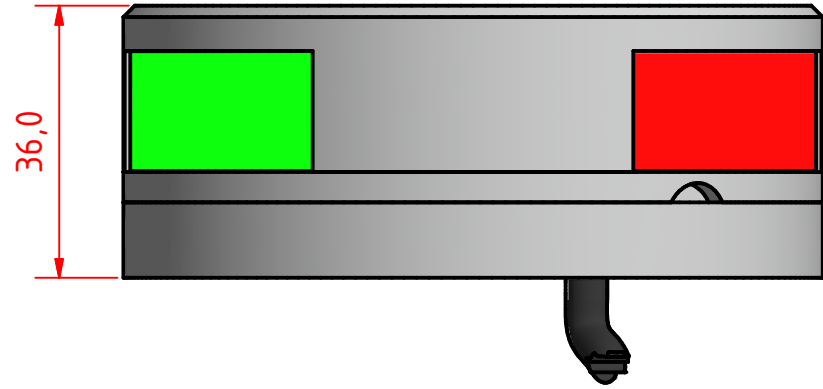


Lopolight ApS
Bakkegaardsvej 513
DK-3050, Humlebaek
Denmark
www.lopolight.com

Tel:(+45) 32 48 50 30 Fax:(+45) 32 48 50 32
info@lopolight.com



A B C D E F G H I J



101-003 1nm comb side light, HM, on a 400-036 Ultra Low profile base

DRAWING NO.: 101-003IA	REV. NO.: 0	SIZE: A3	DRAWN BY: Sergio
SCALE: 1:1	TOLERANCES: DS/ISO 2768-f	REVIEWED BY:	CREATION DATE: 23-04-2018

MATERIAL DESCRIPTION:
Aluminum, Acrylic (20µ) Silver anodized according to EN ISO 7599 (50µ) Black anodized according to MIL-A 8625F

This Drawing, and the information within, is the property of Lopolight ApS and may not be used in any form without express permission there from. Lopolight reserves the right to change this drawing and assumes no liability for the information communicated herein. Use of dimensions and other information in this drawing is at the users own risk.



Lopolight ApS
Bakkegaardsvej 513
DK-3050, Humlebaek
Denmark

Tel:(+45) 32 48 50 30 Fax:(+45) 32 48 50 32
info@lopolight.com

